

# 20984P BRONTE LARGE RECLINER SOFA

The Bronte large recliner sofa features a supportive back with gently curved arms and a sprung seat designed for lasting relaxation. Elegantly shaped legs in solid ash encase the upholstery. Featuring Cloud Zero® mechanism, the sofa reclines effortlessly into a perfectly supported zero-gravity position. The headrests and footrests operate independently, allowing you to tailor your comfort, while the home button returns you smoothly to an upright position. The sofa includes a USB and USB-C ports, allowing you to easily charge any device. Available in a choice of fabrics from our Casa and Universal collections, the Bronte large recliner sofa comes with two scatter cushions, filled with soft plush feathers. The solid ash legs can be finished in a choice of oak on ash, dark or vintage finish.



## TECHNICAL SPECIFICATIONS

### CONSTRUCTION

Solid Ash feet

### FINISHES AVAILABLE

Dark, Vintage, Oak on Ash

### FABRIC COLLECTION

Casa collection, Universal collection

### DESIGNED BY

In-house design team

### COUNTRY OF ORIGIN

UK

### PRODUCT DIMENSIONS

Width: 199cm

Depth: 98cm

Height: 96cm

### SEAT HEIGHT

50cm

### SEAT DEPTH

54cm

### ARM HEIGHT

71cm

### SEAT WIDTH ARM TO ARM

163cm

### CLEARANCE UNDER

15cm

### PACKAGED DIMENSIONS

W 82 x L 18 x H 36 (CM). 3.5kg

### ASSEMBLY

Partial Assembly - Legs

### RECLINES

Yes - powered

### CUSHIONS

Reversible: No

### SCATTERS

Number of Scatters: 2

Scatter size: 50x50 cm

### FILLING COMPOSITION

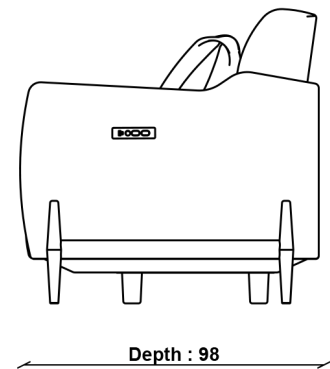
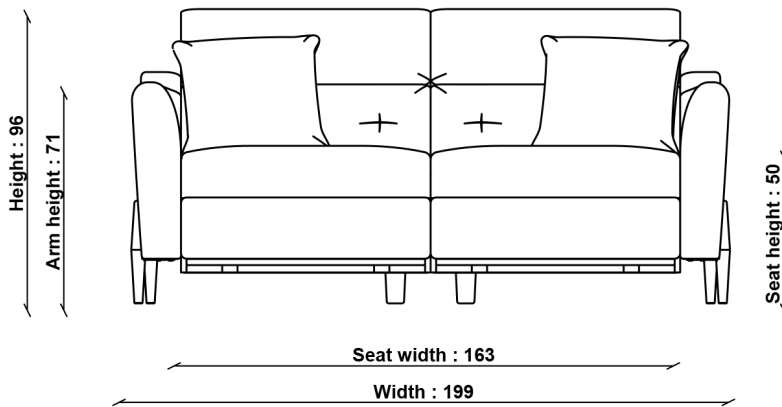
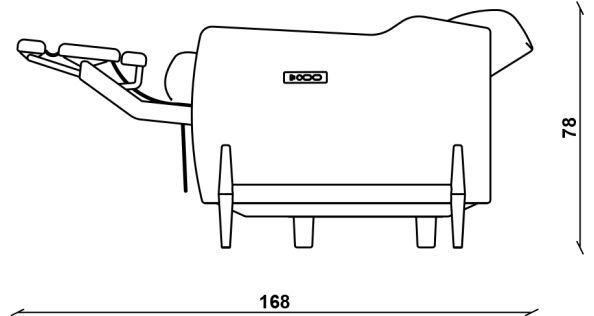
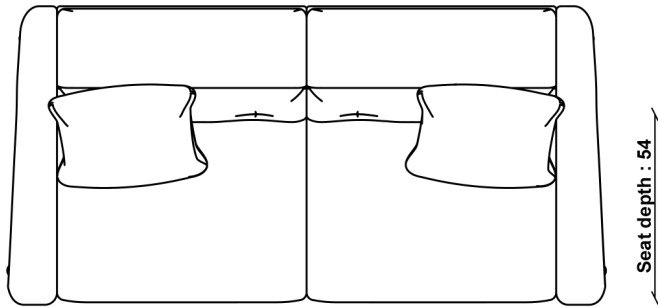
Seat Interior: Foam

Back Interior: Foam

Scatter Interior: Feather

# 20984P BRONTE LARGE RECLINER SOFA

TECHNICAL DRAWING - All dimensions in cm



## ADDITIONAL DIMENSIONS

**CLEARANCE BELOW UPHOLSTERY**  
Height 15cm  
**CLEARANCE REQUIRED FROM WALL**  
Depth 20cm