

20983P BRONTE MEDIUM RECLINER SOFA

The Bronte medium recliner sofa offers comfort, with a supportive back and gently curved arms that create the perfect place to relax and unwind. Featuring the Cloud Zero® mechanism, the sofa reclines you effortlessly into a perfectly supported, weightless position with your legs elevated to create a zero gravity sensation. The headrests and footrests can be adjusted independently, allowing you to tailor your comfort. When you're ready to return to an upright position, simply press the home button. The sofa includes USB and USB-C ports, allowing you to easily charge any device. The turned legs in solid ash frame the sofa, showcasing ercol's craftsmanship. Buttonless tufting is used on the back cushions to help maintain the shape of the sofa. Available in fabrics from our Casa and Universal collections, the solid ash legs are available in a choice of finishes. The Bronte medium recliner sofa is supplied with two scatter cushions.



TECHNICAL SPECIFICATIONS

CONSTRUCTION

Solid Ash feet

FINISHES AVAILABLE

Dark, Vintage, Oak on Ash

FABRIC COLLECTION

Casa collection, Universal collection

DESIGNED BY

In-house design team

COUNTRY OF ORIGIN

UK

PRODUCT DIMENSIONS

Width: 166cm

Depth: 98cm

Height: 96cm

SEAT HEIGHT

50cm

SEAT DEPTH

54cm

ARM HEIGHT

71cm

SEAT WIDTH ARM TO ARM

129cm

CLEARANCE UNDER

15cm

PACKAGED DIMENSIONS

W 82 x L 18 x H 36 (CM). 3.5kg

ASSEMBLY

Partial Assembly - Legs

RECLINES

Yes - powered

CUSHIONS

Reversible: No

SCATTERS

Number of Scatters: 2

Scatter size: 50x50 cm

FILLING COMPOSITION

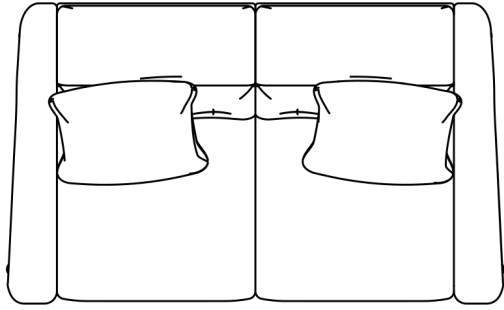
Seat Interior: Foam

Back Interior: Foam

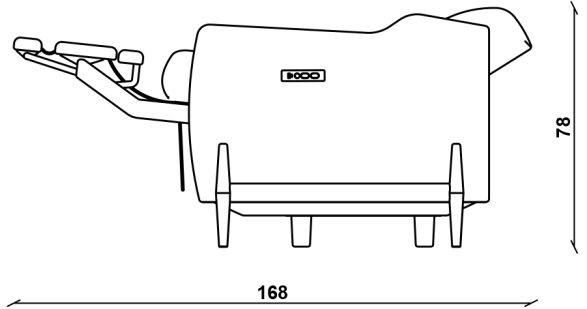
Scatter Interior: Feather

20983P BRONTE MEDIUM RECLINER SOFA

TECHNICAL DRAWING - All dimensions in cm

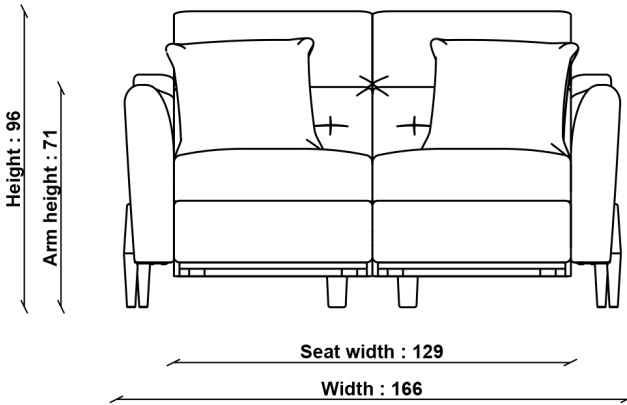


Seat depth : 54



78

168



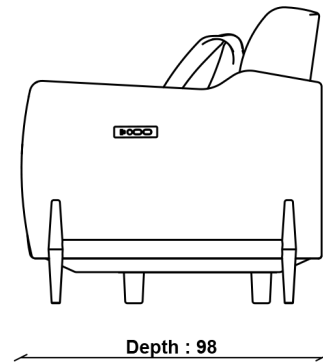
Height : 96

Arm height : 71

Seat height : 50

Seat width : 129

Width : 166



Depth : 98

ADDITIONAL DIMENSIONS

CLEARANCE BELOW UPHOLSTERY

Height 15cm

CLEARANCE REQUIRED FROM WALL

Depth 20cm

ercol