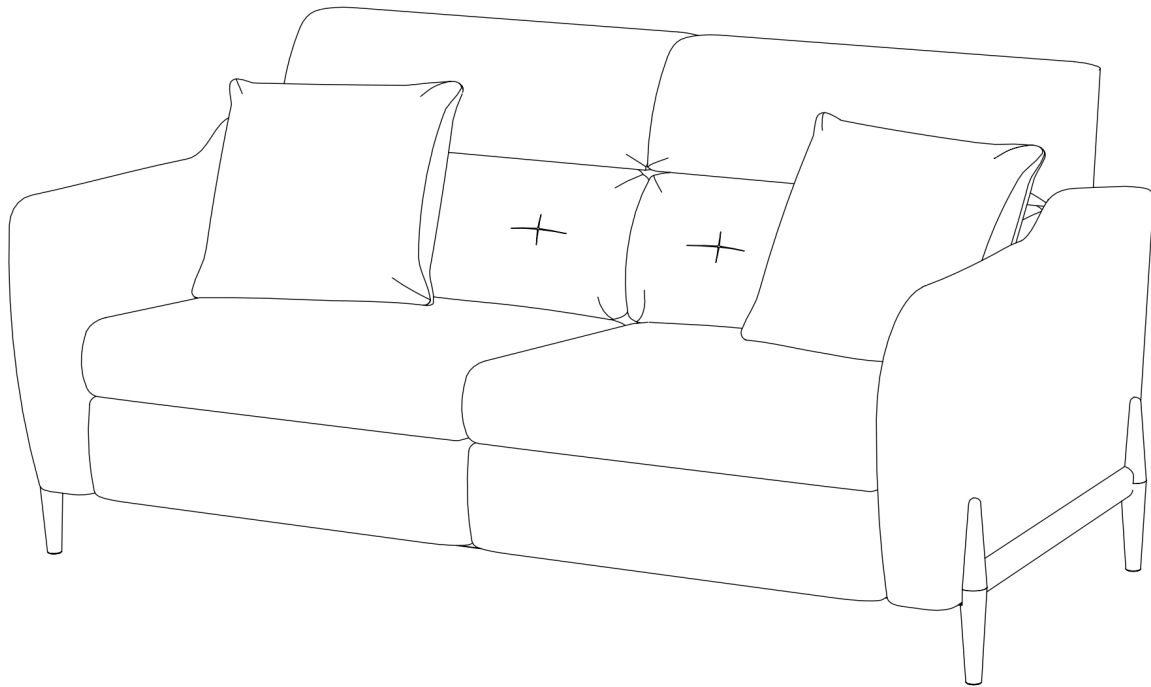


# ercol

## 2098 BRONTE UPHOLSTERY



---

Thank you for purchasing this Bronte upholstery. Please ensure instructions are read in full before attempting to assemble or operate this product.

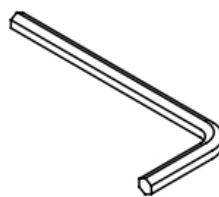
---

### PREPARATION

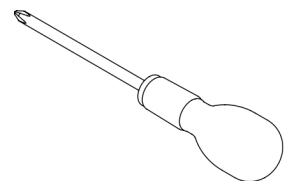
This is a two person operation



Tools required



INCLUDED



NOT INCLUDED

---

Please check the pack contents before attempting to assemble this product. A full checklist of components is given in this leaflet. If any components are missing, please contact the retailer from whom you bought this product.

This product is **HEAVY**, it should be assembled as near as possible to the point of use.

**TAKE CARE WHEN LIFTING** to avoid personal injury and (or) damage to the product.

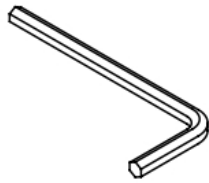
**PLEASE NOTE: THE RECLINER UPHOLSTERY SHOULD NOT BE OPERATED BY CHILDREN.**

Read this leaflet in full before commencing assembly and operation.

## Fittings and parts checklist

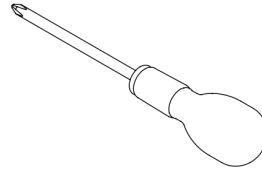
### Tools required

**INCLUDED**

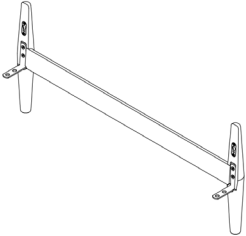
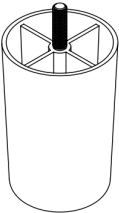


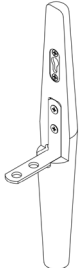


1x Allen Key

**NOT INCLUDED**



1x Cross-head Screwdriver

a	<p><b>Static and Recliner Upholstery Only</b> 2x - Wooden Leg Assembly</p>	
b	<p><b>Recliner Sofas Only</b> 4x - 100mm Plastic Foot</p>	
c	<p><b>Statics Sofas Only</b> 1x - Adjustable Centre Leg</p>	
d	<p><b>All</b> 8x - Connector Bolt</p>	
e	<p><b>Footstools Only</b> 4x - Wooden Leg</p>	

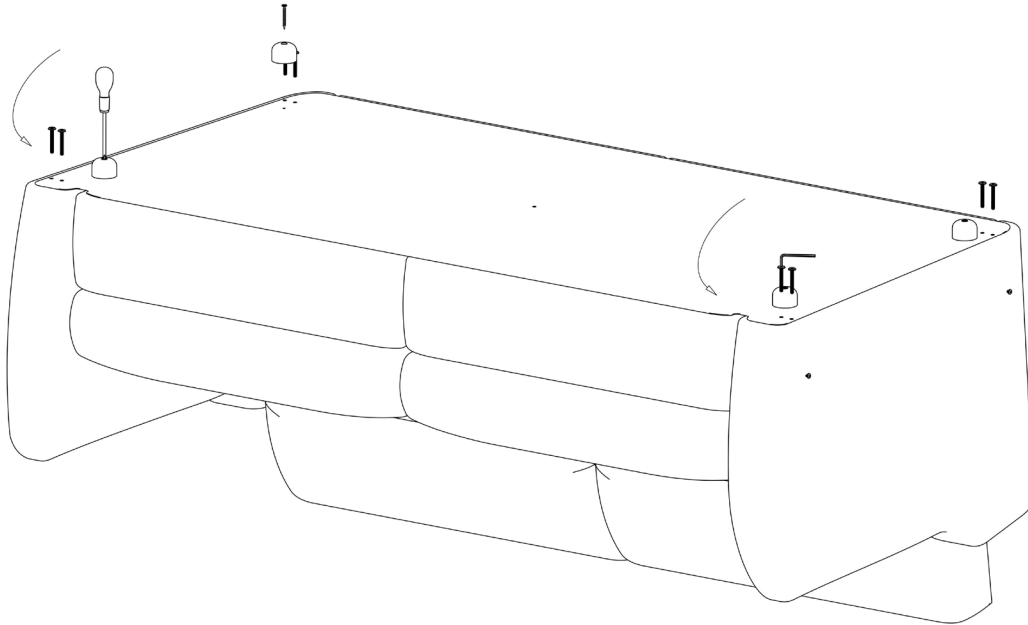
---

## Static Upholstery - Step by step assembly instructions

---

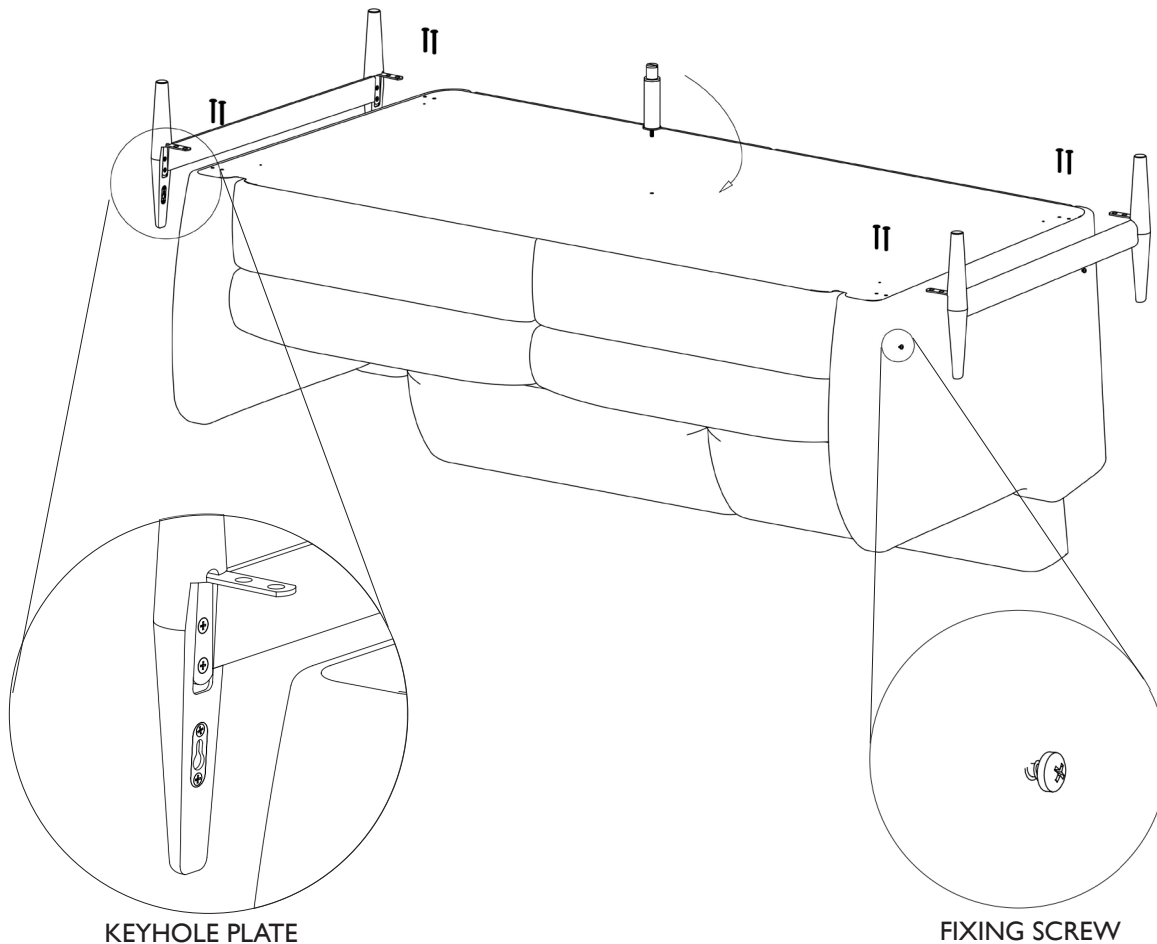
1. Using the Allen Key (included) and a Cross-head Screwdriver (not included), remove the Connector Bolts (d) and transit glides.

Retain the Connector Bolts (d) as these will be needed to fit the Wooden Leg Assembly (a).



2. Fit the Wooden Leg Assembly (a) onto the sofa by locating the keyhole plate in the leg, onto the fixing screw in the side of the arm.

Push down the Wooden Leg Assembly (a) to secure it onto the sofa arm.

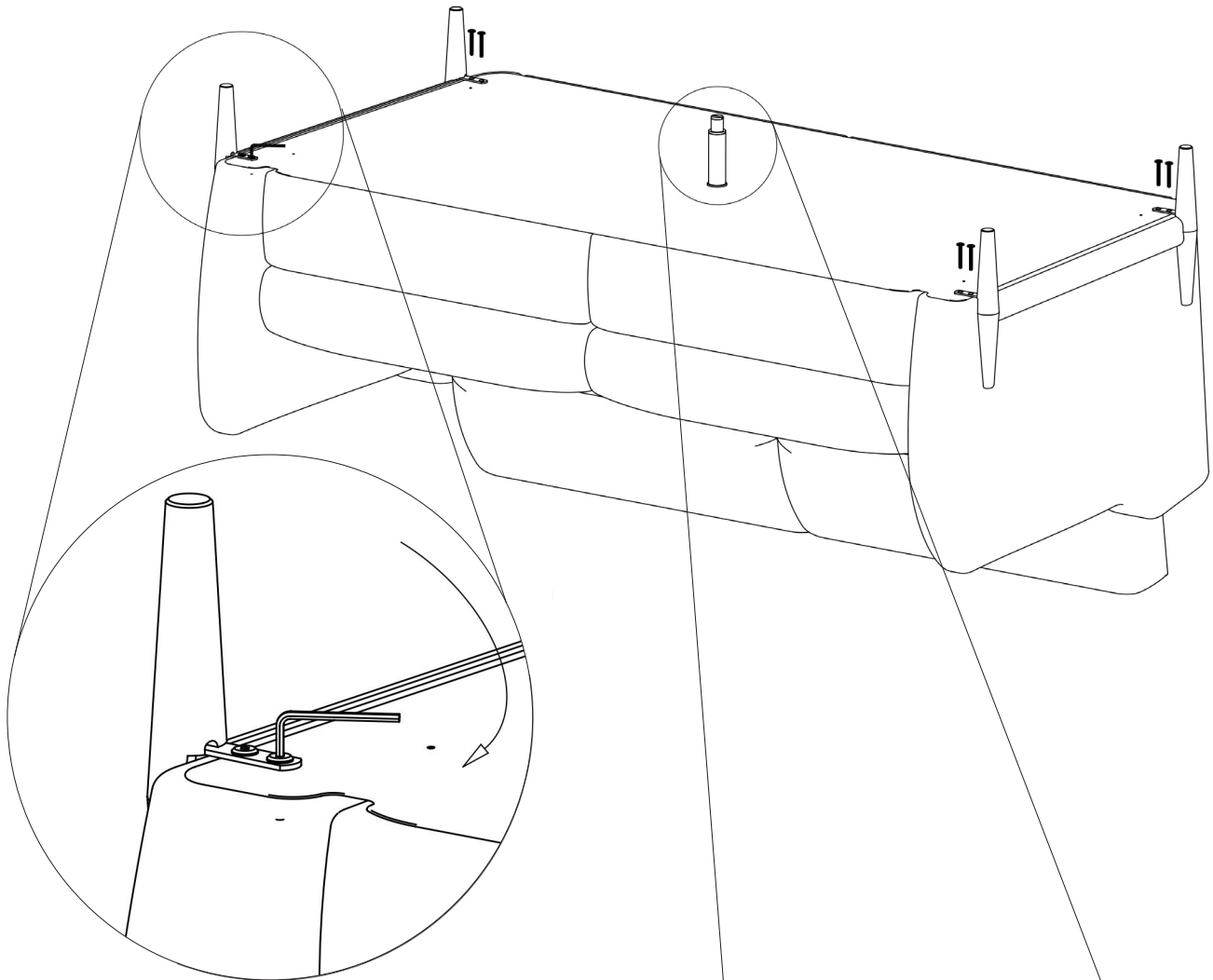


---

## Static Upholstery - Step by step assembly instructions

---

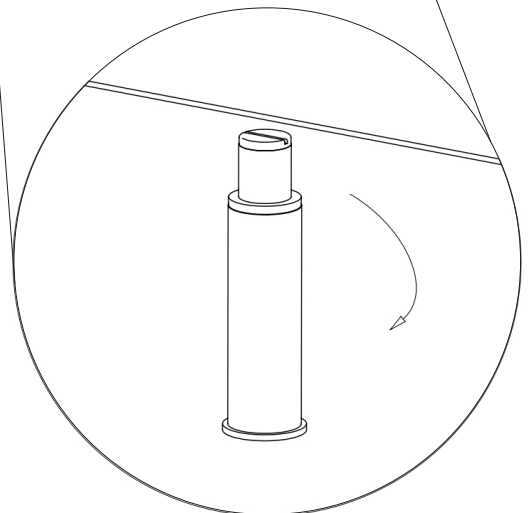
3. Using the Connector Bolts (d), secure the Wooden Leg Assemblies (a) to the base of the sofa with the Allen Key (included).



### **Static Sofas Only**

4. On static sofas only, fit the Adjustable Centre Leg (c) by aligning the threaded bolt of the foot with the threaded insert in the centre of the sofa underside, turn until tight.

Adjust the leg if required to ensure the sofa sits level and is supported.

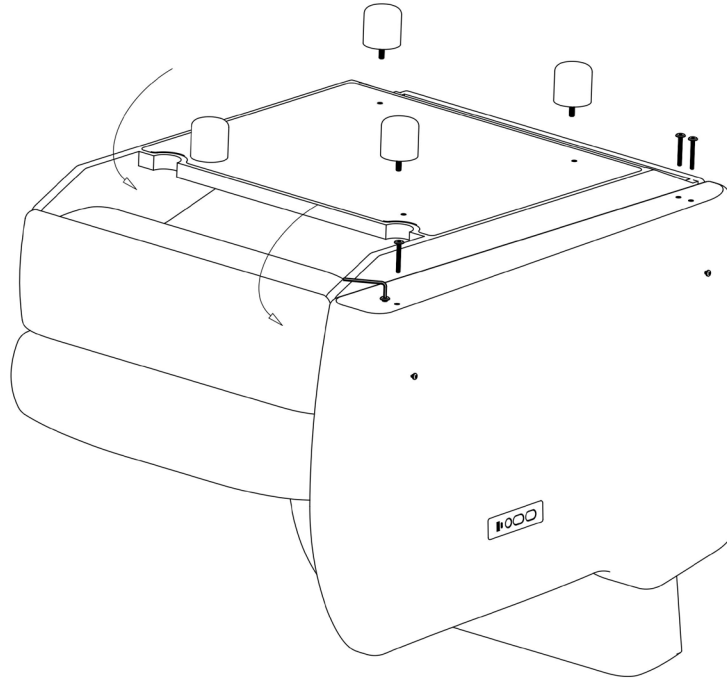


---

## Recliner Upholstery - Step by step assembly instructions

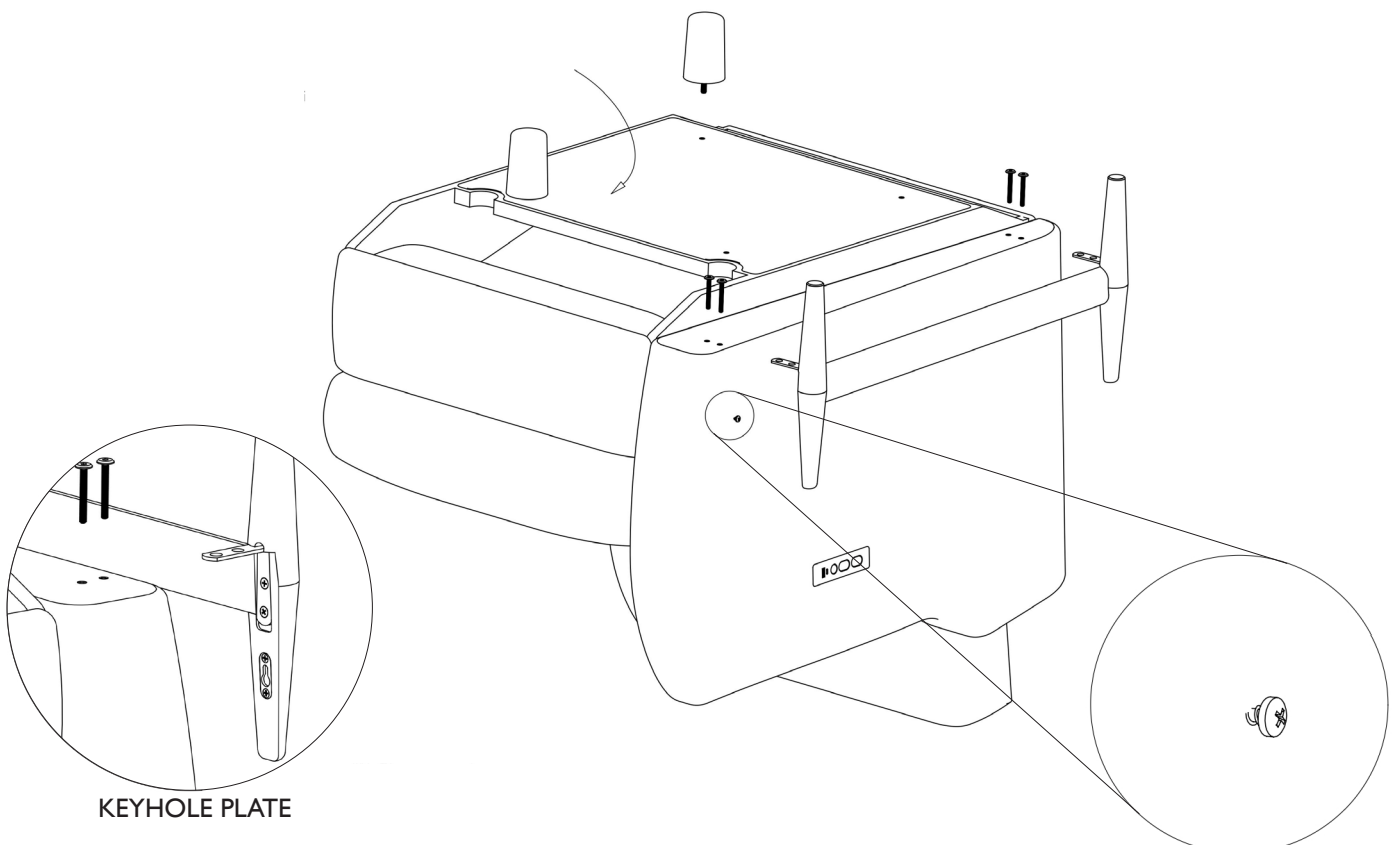
---

1. Remove the transit glides. Then, using the Allen Key (included), remove the 4x Connector Bolts (d). Retain the Connector Bolts (d) as these will be needed to fit the Wooden Leg Assembly (a).



2. Fit the Wooden Leg Assembly (a) onto the recliner unit by locating the keyhole plate in the leg, onto the fixing screw in the side of the arm. Also fit the 100mm Plastic Foot (b), screwing by hand into the holes as below.

Push down the Wooden Leg Assembly (a) to secure it onto the sofa arm.



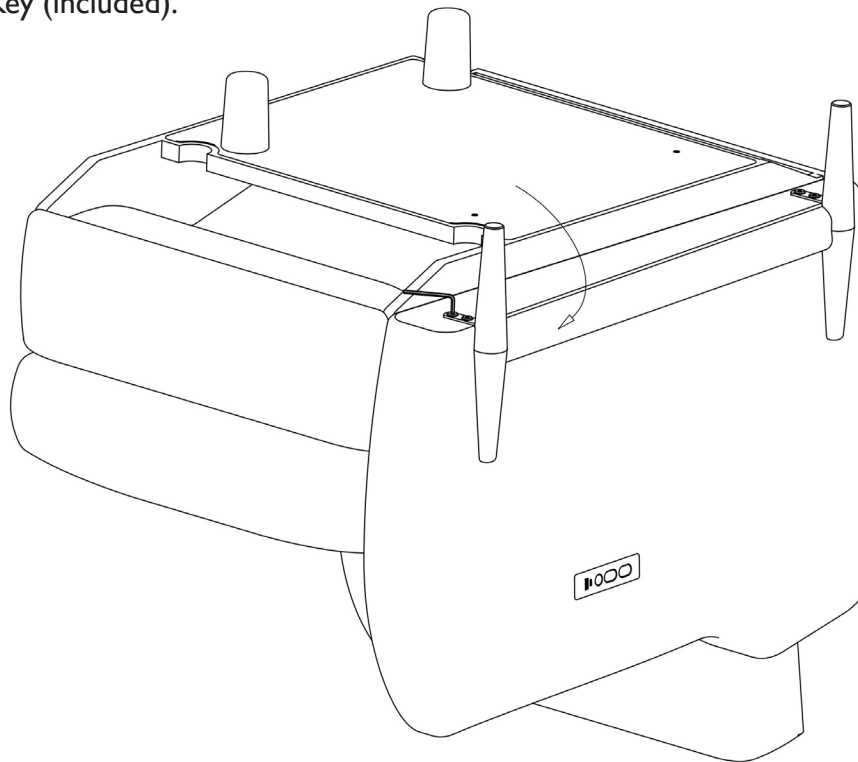
KEYHOLE PLATE

---

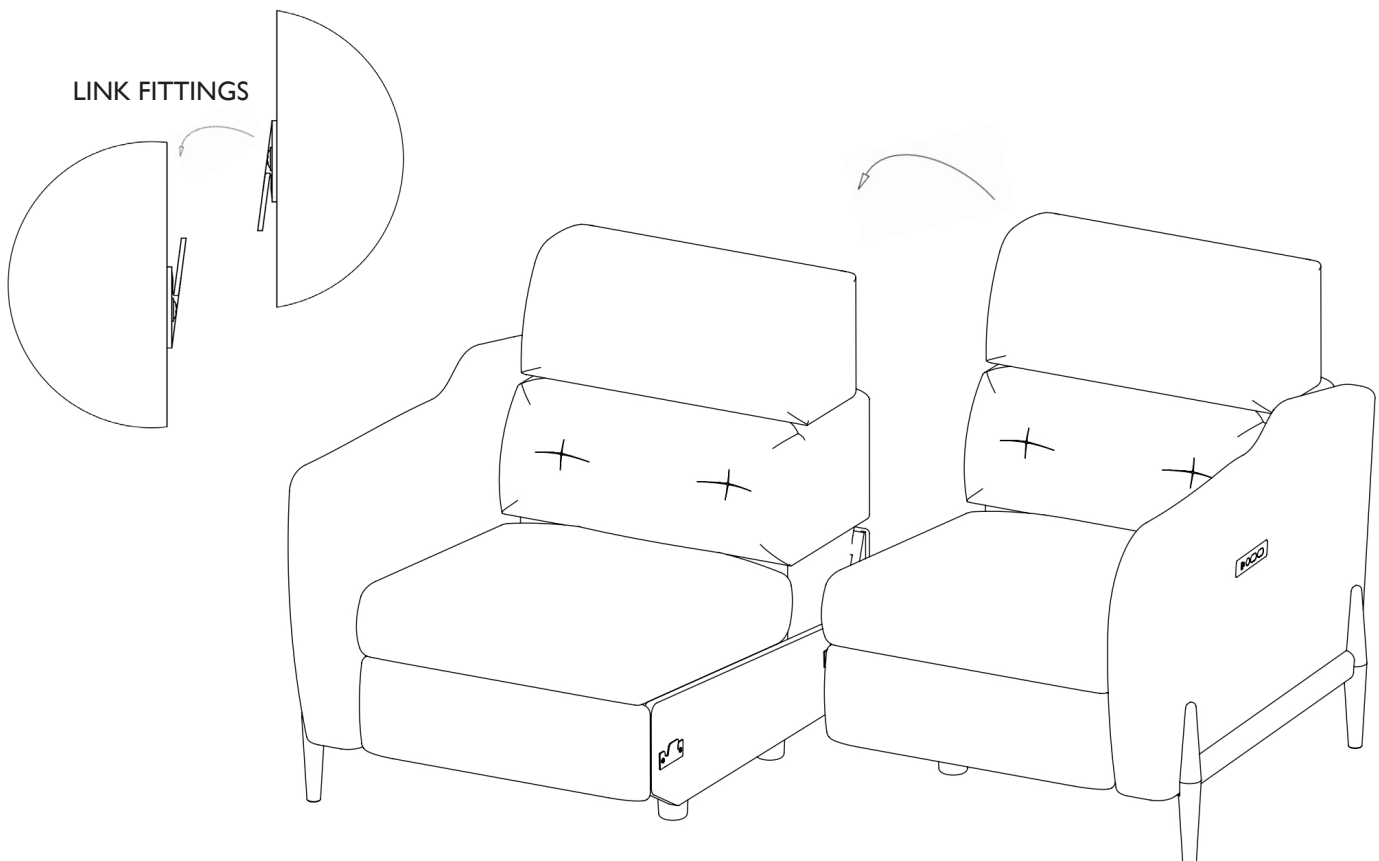
## Recliner Upholstery - Step by step assembly instructions

---

3. Using the Connector Bolts (d) secure the Wooden Leg Assembly (a) to the base of the recliner unit with the Allen Key (included).



4. After fitting the Wooden Leg Assembly (a), flip the recliner units upright with care. Connect the units together in the middle using the link fittings, as illustrated below.

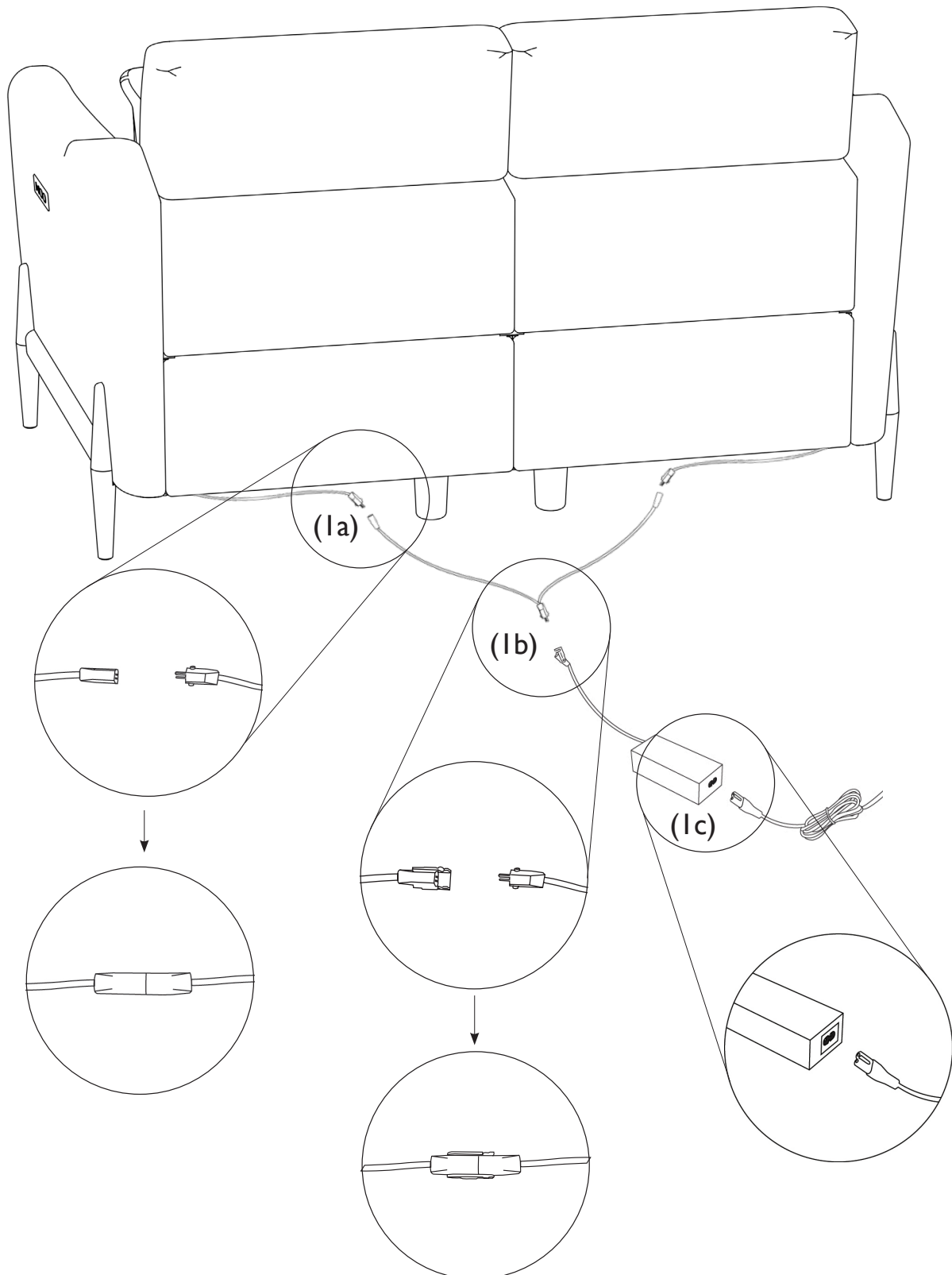


---

## Recliner Upholstery - Connecting the power instructions

---

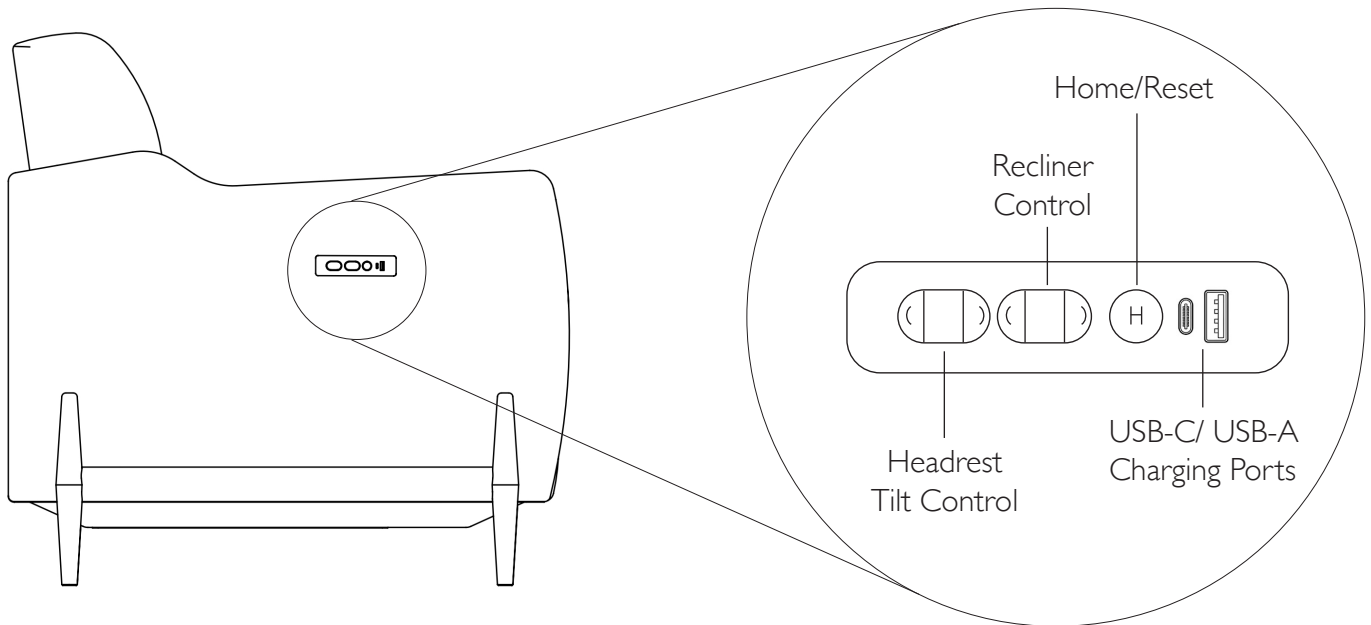
1. It is best to position the sofa near the power source. Facing the back of the sofa, find both ends of the 2-pin-connector, I on each side. Push the 2-pin-connectors into each side of the splitter cable (Ia).
2. Push the 2-pin-connector on the splitter cable into the power adaptor (Ib) and close the locking cover.
3. Finally insert the power cable (Ic) into the power adaptor. Position the sofa with 20cm clearance to the wall, allowing space for the mechanism to recline.



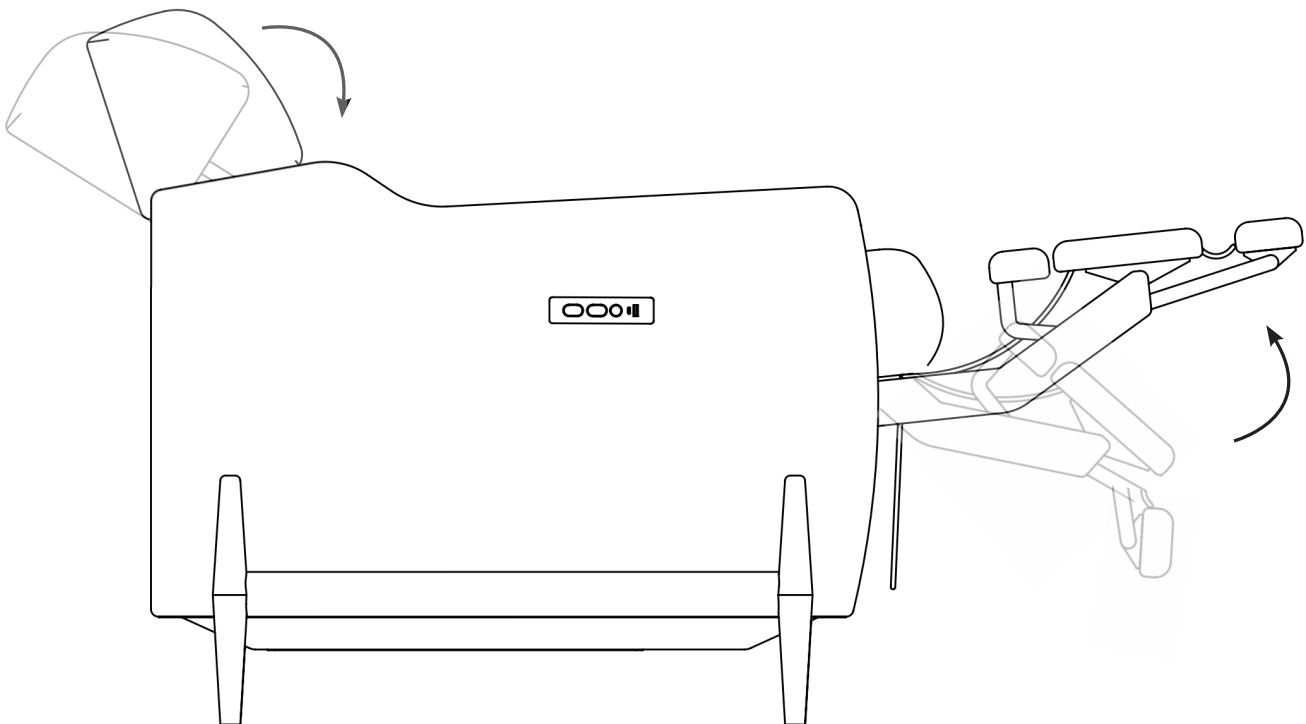
## Recliner Upholstery - How to operate

1. Starting in a closed position, sit comfortably in the recliner, ensuring you are sitting as far back as possible.

2. Adjust the mechanism as desired, with the Recliner Control button. The headrest extends/ tilts independently with the Headrest Tilt Control button.



3. On pressing the Recliner Control the footrest will extend first, followed by the back reclining. Release the button when comfortable or continue pressing until fully extended. As illustrated below, the headrest can be independently controlled, in which it will extend then tilt, with the Headrest Tilt Control.



4. The Home/ Reset button automatically homes both the headrest and recliner to the closed position. Ensure recliner has returned fully to home position before getting up from the sofa, to prevent strain on the mechanism. The USB-C/ USB-A Charging Ports can be used to plug in devices for convenient charging.

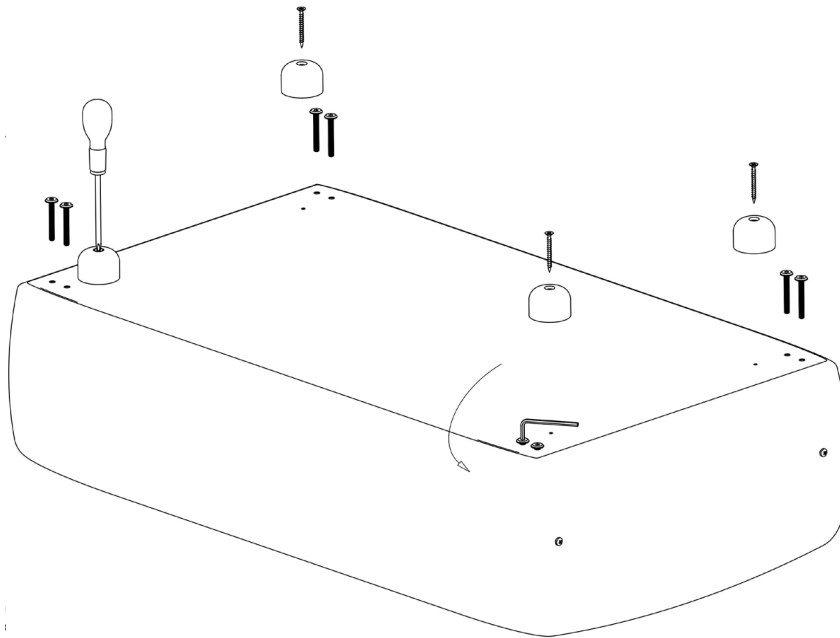
---

## Footstool - Step by step assembly instructions

---

1. Using the Allen Key (included) and a Cross-head Screwdriver (not included) remove the Connector Bolts (d) and transit glides.

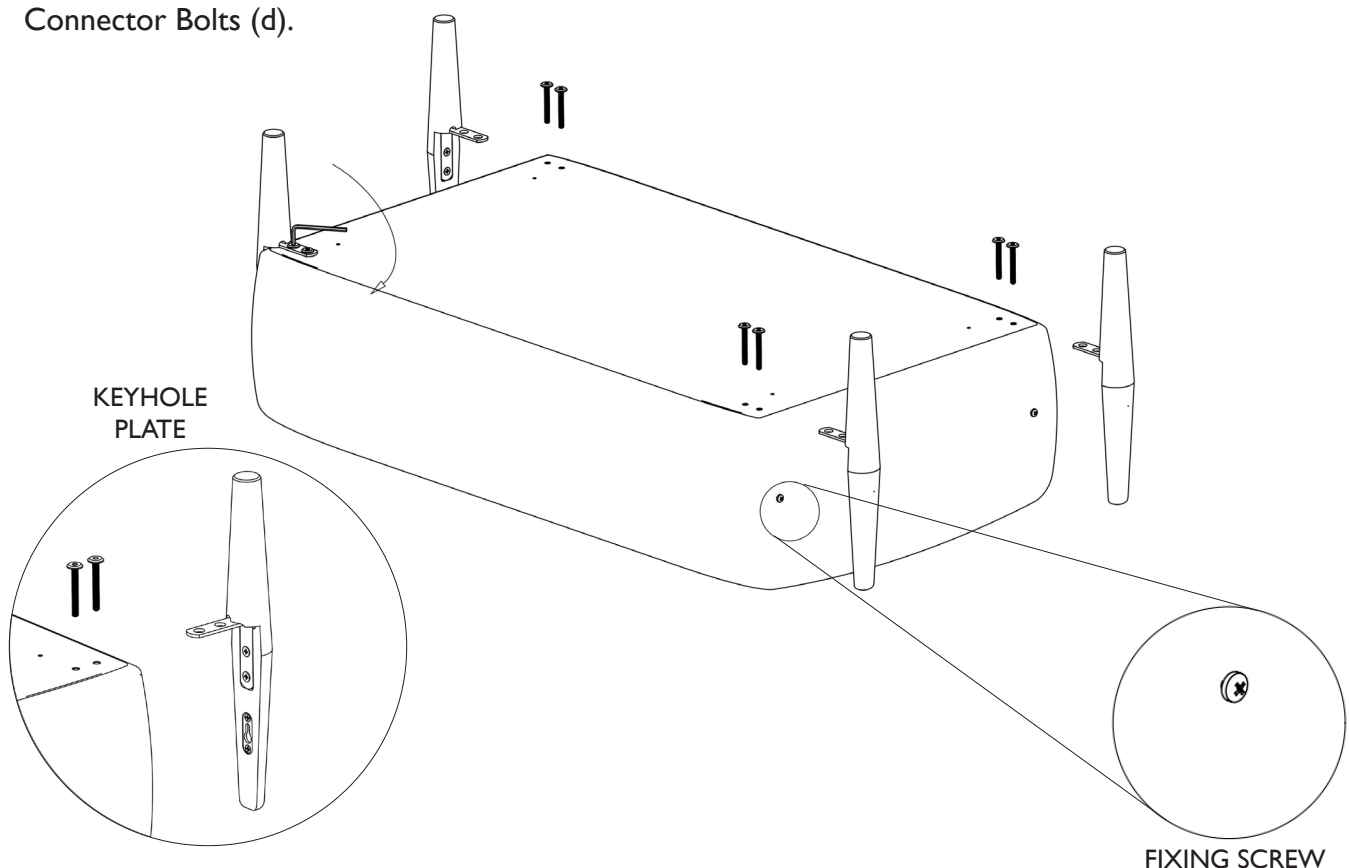
Retain the Connector Bolts (d) as these will be needed to fit the Wooden Legs (e).



2. Fit the Wooden Leg (e) onto the footstool, by locating the keyhole plate in the leg onto the fixing screw in the side of the footstool.

Push down on the leg to secure it to the side of the stool.

Fix the Wooden Leg (e) brackets onto the base of the footstool with the Allen Key (included) and Connector Bolts (d).



# Customer Care

## Wood Furniture

Wood displays different grain patterns depending on which way it is cut - for example, the 'medullary ray' which can appear on oak furniture is a mark of good quality timber - these are characteristics of the natural beauty of the wood. All timber surfaces will change colour and mellow over time. New furniture will initially vary in shade from items that have been previously purchased. Wipe with a damp cloth.

## Fabric Care

Every effort is made to keep colours consistent between batches, but fabric manufacturers cannot guarantee exact matching. All fabrics will fade in sunlight, to prolong the life of the fabric do not place it close to a heat source or in direct sunlight. Plump up cushions after use, especially fibre or feather cushions. If the cushions are reversible turn them at least once a week to minimise wear and maintain their appearance. To prevent dust and dirt accelerating wear, gently vacuum upholstery once a week or use a soft brush. For complete cleaning we recommend a specialist cleaning in situ. Accidental spills and stains should be treated as soon as possible, except mud which should be left to dry and then brushed off. Remove any solids, then blot up as much liquid as possible with white paper towel or a clean cloth. We recommend professional dry cleaning but some action can limit damage.

## Leather Care

As leather is a natural product, each hide will have its own individual characteristics - grain pattern, texture and colour will vary from hide to hide and even within the same hide. All of which contribute to the natural beauty and softness of the hides. Keep your leather furniture at least 40cm away from any heat source and if possible avoid exposure to direct sunlight preventing colour fading, dehydration and cracks. Leather furniture in a normal domestic environment should require little attention. Cleaning should only be done when necessary. We advise that the leather should be regularly dusted. At least twice a year the surface should be wiped over with a damp cloth, with special attention paid to crevices where dust and dirt could be a cause of hidden wear. Do not apply any chemical or abrasive products. If you have a spillage on your leather furniture, act immediately and dab off any excess liquids and solids, then contact a specialist leather cleaning company.

## Important Information - Read carefully and retain for future reference:

- a) Test to BS 8474 2013;
- b) Ercol Furniture Ltd, Summerleys Rd, | Princes Risborough, Buckinghamshire, | HP27 9PX | UK
- c) Warnings:
  - 1) WARNING. This is an electrical item and should be treated with caution.
  - 2) WARNING. The motion lockout control must be engaged when the chair is not in use.
  - 3) WARNING. Always ensure that there is nothing to obstruct the free movement of the chair, for example children or pets, solid objects, e.g. a wall.
  - 4) WARNING. This chair is not suitable for use by children. Any children in the vicinity must be supervised at all times.
  - 5) WARNING. Take care when adjusting positions to avoid trapping or pinching body parts.
  - 6) WARNING. Do not sit on the footrest.
  - 7) WARNING. Only the occupant or a responsible person should operate the chair.
  - 8) WARNING. Exercise care when lowering into the chair as shock loads can severely damage the chair and the mechanism.
- d) Maximum load for safe operation of the chair is 110kg.
- e) If this is a large sofa, the centre leg must be attached as per the instructions before use.
- f) When the chair is not in use, please return to the upright seated position.
- g) Ensure the chair is fully in the upright seated position before standing.
- h) Never drag furniture when moving it, always lift it. Take care when handling or moving the furniture as careless handling may cause damage or injury. No liability will be accepted for damage or injury caused by incorrectly installed furniture.
- i) Please ensure the instructions provided have been read and clearly understood before use.