

Thank you for purchasing this Treviso desk. Please ensure instructions are read in full before attempting to assemble this product.

Pre-assembly preparation

This is a two person operation



Items you will need





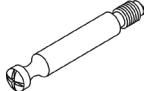
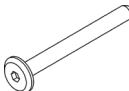
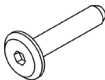
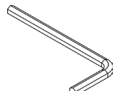
This product is heavy, it should be assembled as near as possible to the point of use. Take care when lifting to avoid personal injury and (or) damage to the product.

The fittings pack contains small items which should be KEPT AWAY FROM YOUNG CHILDREN.

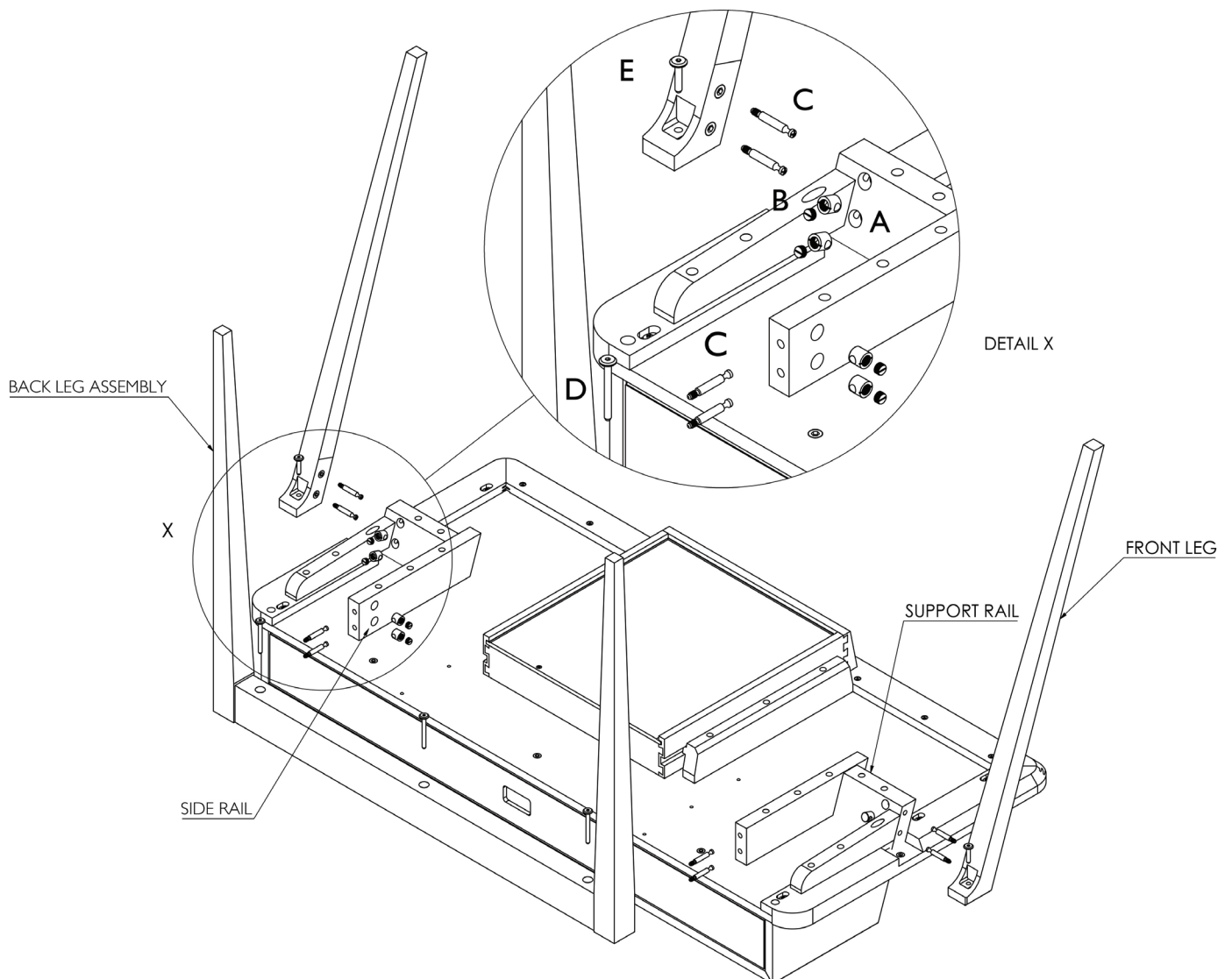
Installation should be carried out exactly according to the manufacturers instructions, otherwise a safety risk can occur if incorrectly installed. Cabinets and shelving over 600mm high can be unstable and should be supported until fixed to the wall.

Read this leaflet in full before commencing assembly.

Fittings and parts checklist

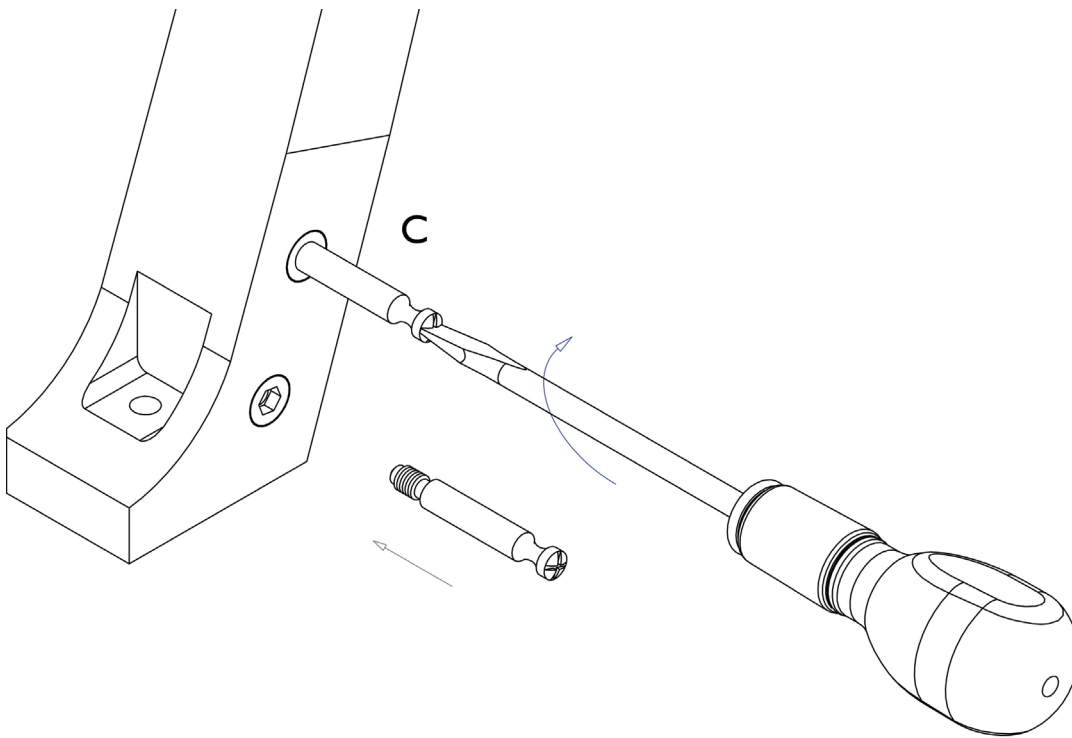
A	8 x Barrel fixing	
B	8 x Grub screw	
C	8 x Straight bolt	
D	3 x M6 x 60mm connector bolt	
E	2 x M6 x 30mm connector bolt	
F	1 x Allen key	

General assembly

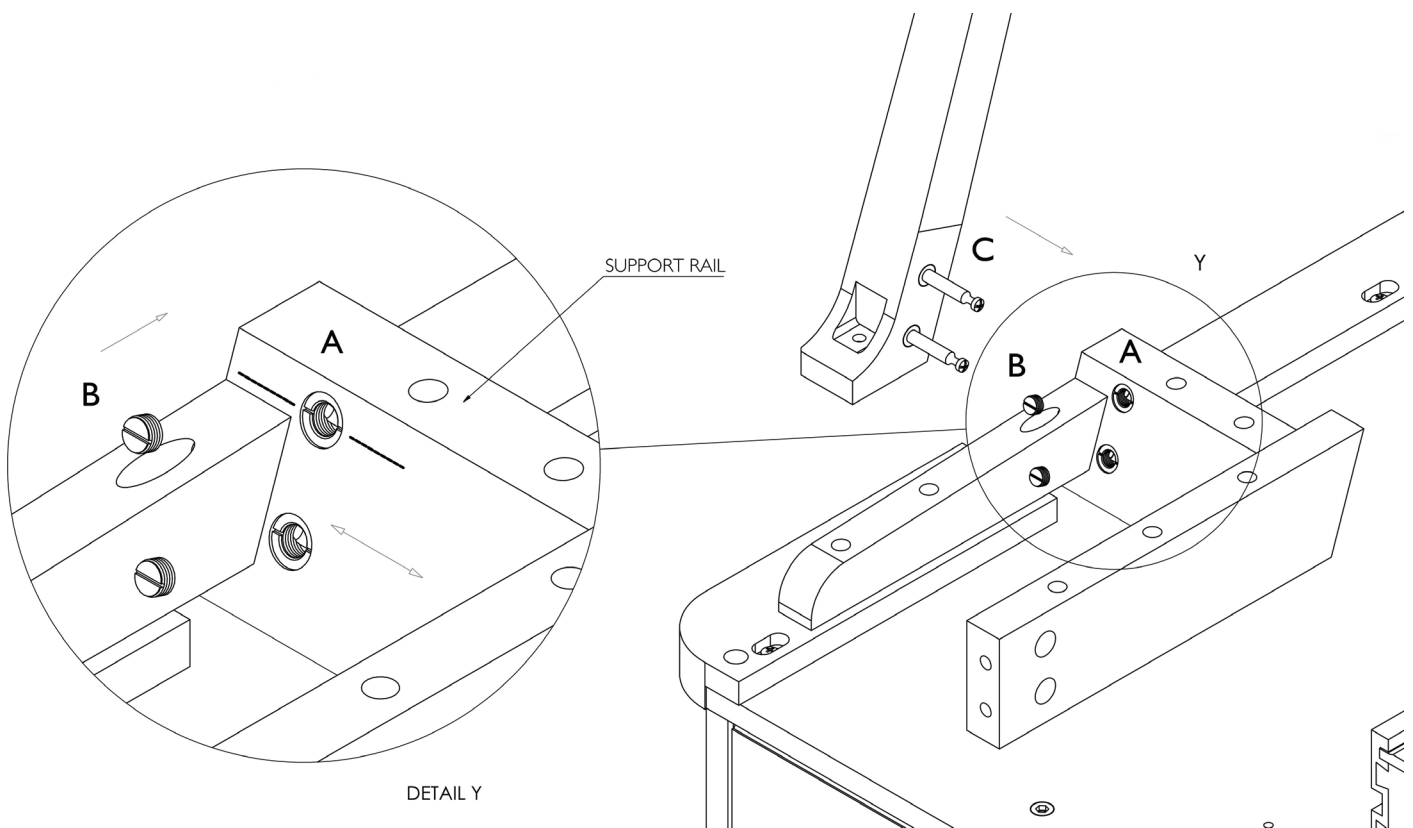


Step by step assembly instructions

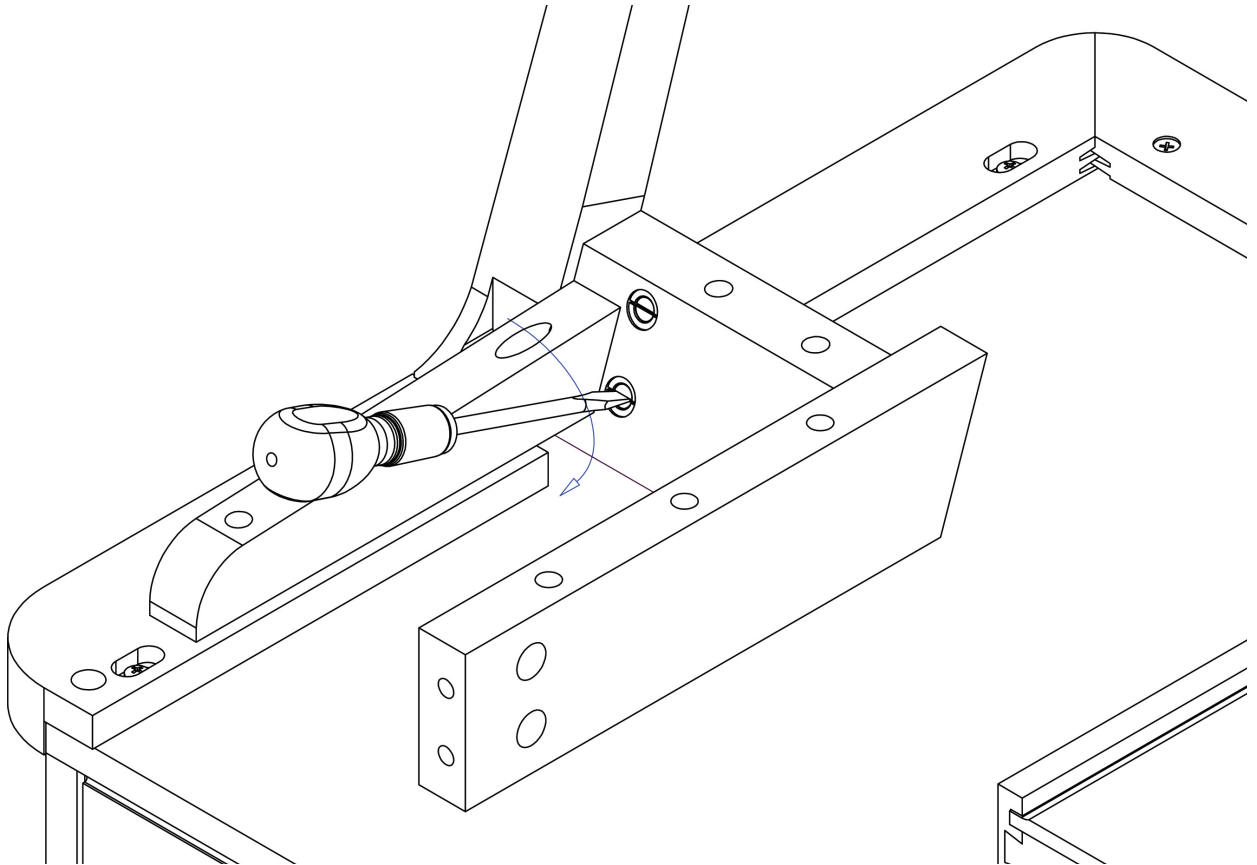
1. Using a screwdriver fix the straight bolts (C) into the inserts in the front legs.



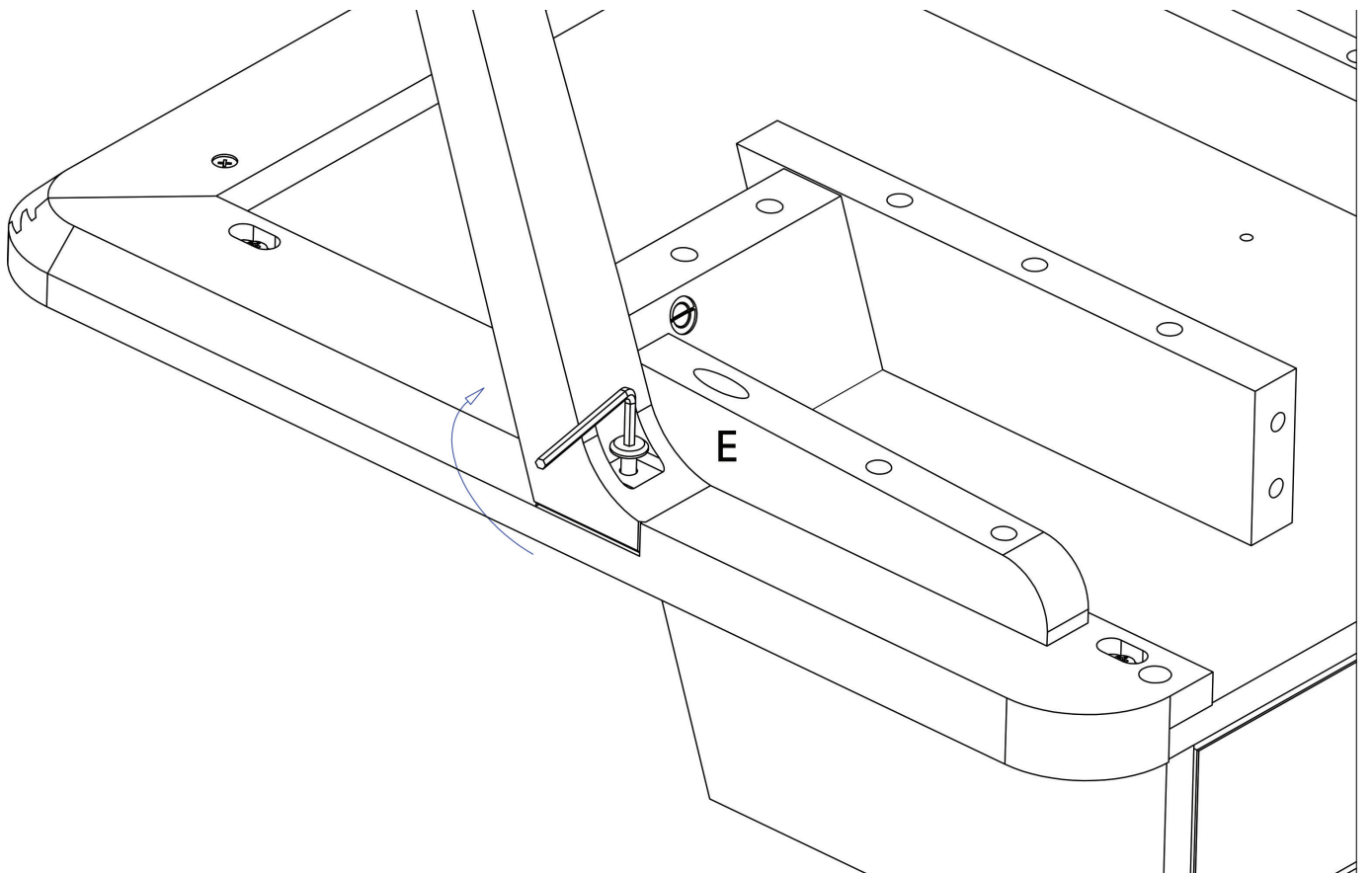
2. Locate the barrel fixings (A) into the holes in the support rail, aligning the slot in the barrel fixing (A) parallel with the edge of the rail. Fit the straight bolts (C) in the front leg, into the holes in the end of the support rail.



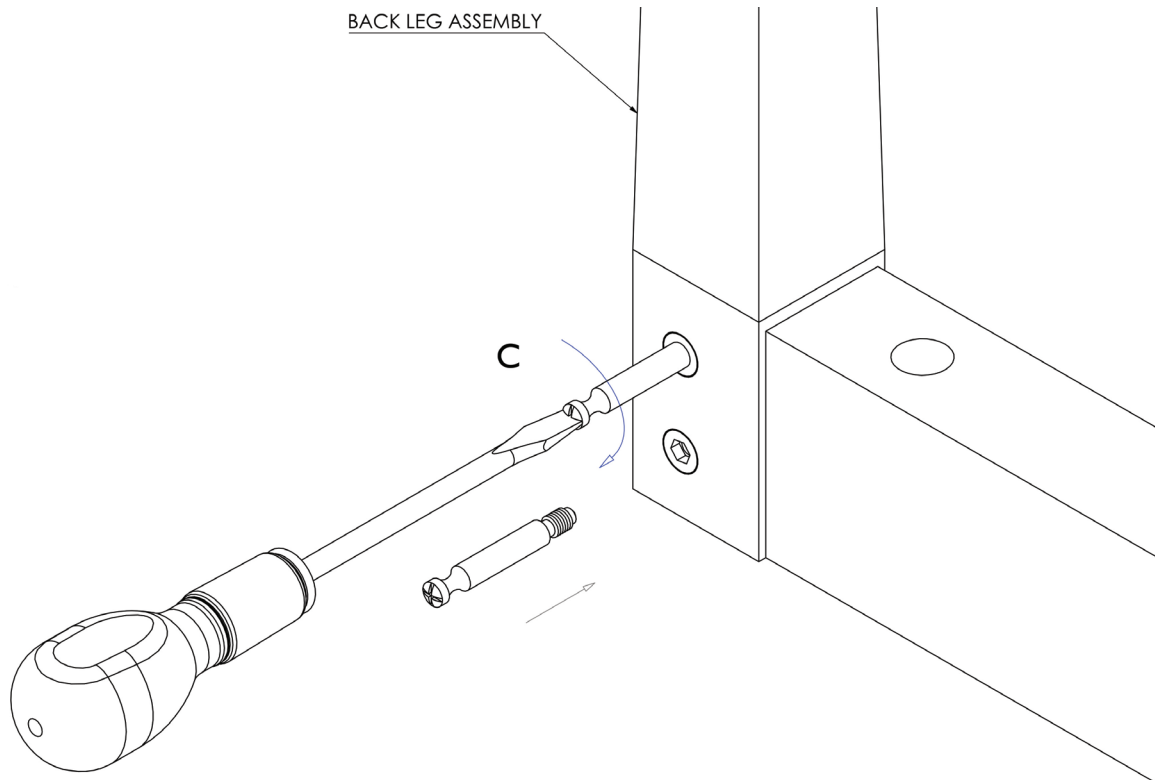
3. Using a screwdriver fix the grub screws (**B**) into the barrel fixings (**A**).



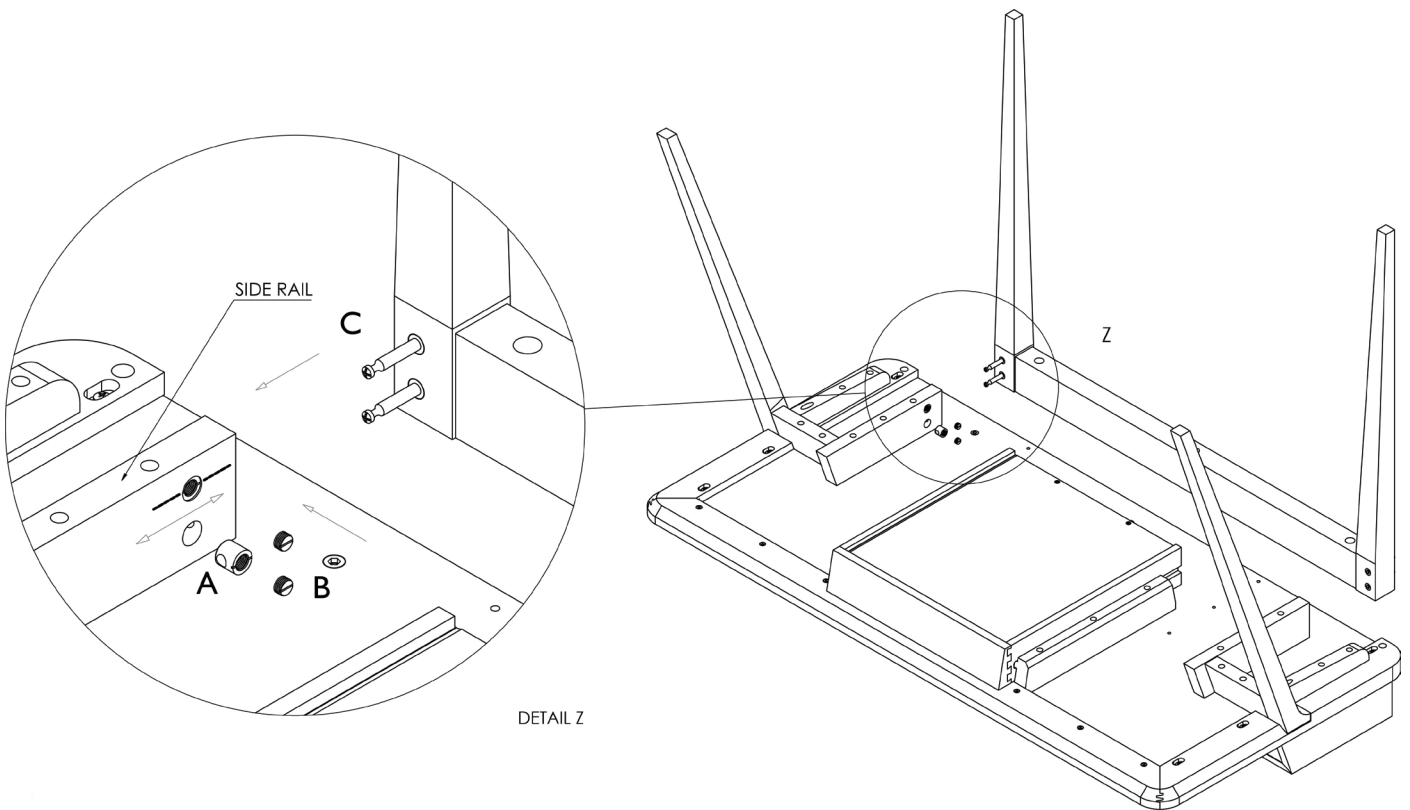
4. Fix the 2 x M6 x 30MM connector bolts (**E**) using the allen key provided (**F**).



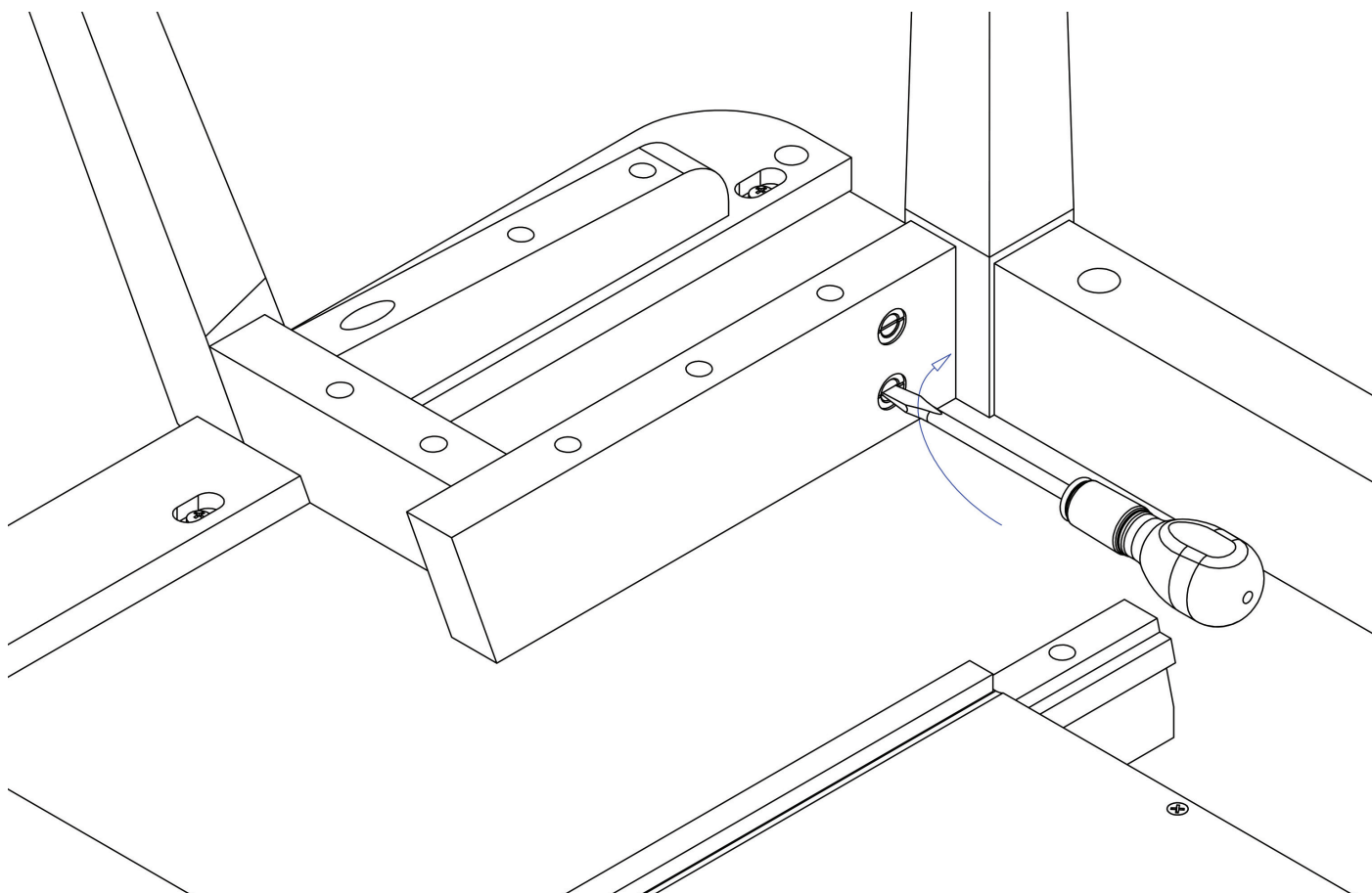
5. Using a screwdriver fix the straight bolts (C) into the inserts in the back leg assembly.



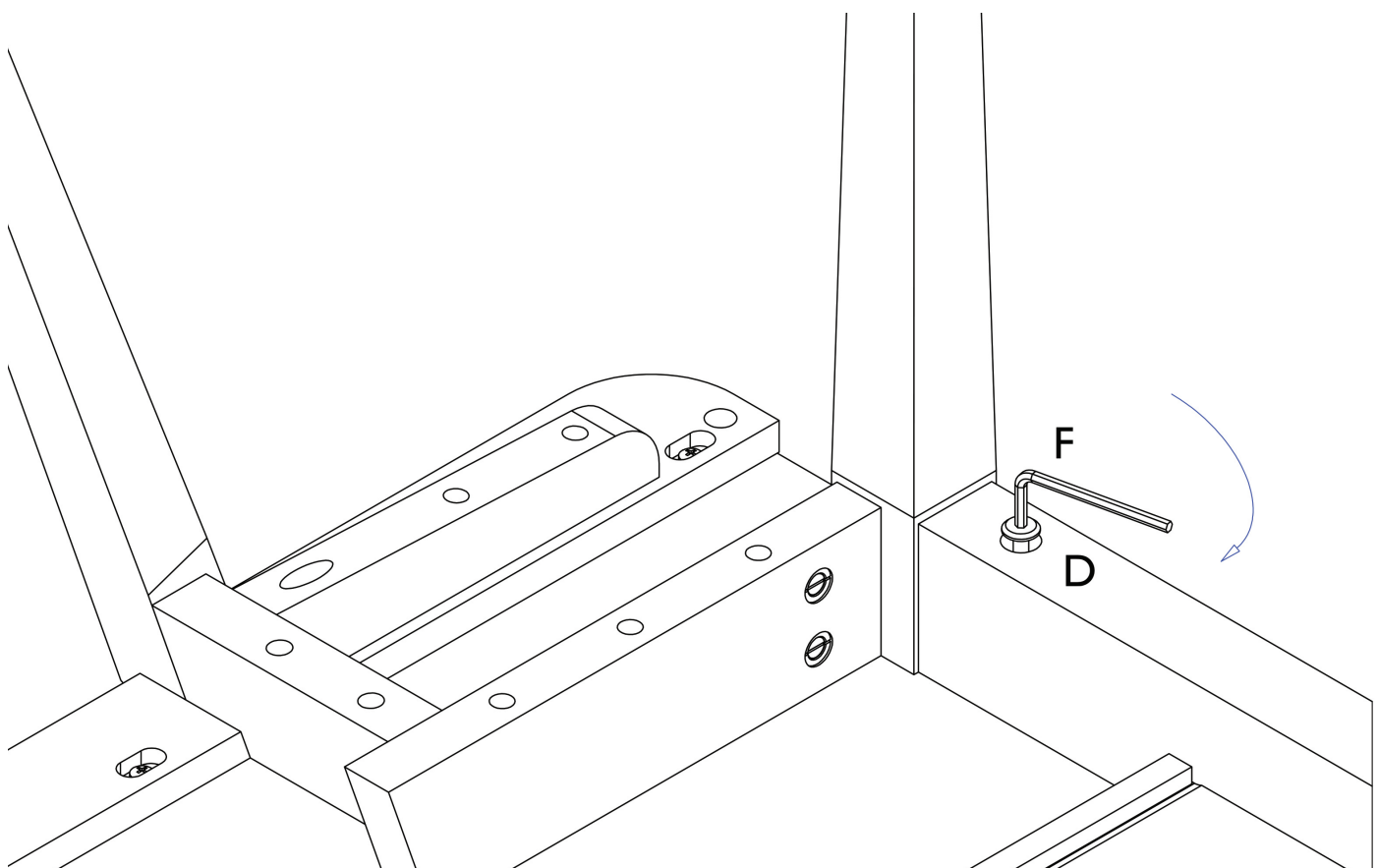
6. Insert the barrel fixings (A) into the holes in the side rails, aligning the slot in the barrel fixing, parallel with the edge of the rail. Fit the straight bolts (C) in the back leg assembly, into holes in the back of the side rail.



7. Fix the grub screws (**B**) into the barrel fixings (**A**) with a screwdriver:



8. Secure the 3x M6 x 60MM connector bolts (**D**) with the allen key provided (**F**).



Wood Furniture

Wood displays different grain patterns depending on which way it is cut - for example, the 'medullary ray' which can appear on oak furniture is a mark of good quality timber - these are characteristics of the natural beauty of the wood. Some furniture is also deliberately aged and rustic.

All timber surfaces will change colour and mellow over time. New furniture will initially vary in shade from items that have been previously purchased.

How to care for your wood furniture

Furniture with a hard lacquer, wax polish or painted surface should be dusted with a dry cloth. When using the surface for serving food and drinks it is best to use protective mats and coasters. Spillages should be wiped up as soon as possible. Spray polishes should be avoided as they can contain silicones which may spoil the furniture's surface by building up over time. Use of cleaning materials containing abrasive compounds, acidic or caustic reagents and any bleaches containing oxidising reagents should be avoided as prolonged use may damage the lacquer surface. If sticky marks occur on the surface they can be removed with a dilute solution of warm soapy water. The area should be rubbed lightly and then completely dried immediately afterwards, before replacing any mats etc. Our furniture will endure most temperatures in the home but it is best to avoid placing furniture next to heat sources such as radiators or fires. Be particularly careful with solid wood as the lack of humidity caused by central heating can cause damage, such as warping.

Safety Instructions

Never drag furniture when moving it, always lift it. Take care when handling or moving the furniture as careless handling may cause damage or injury. No liability will be accepted for damage or injury caused by incorrectly installed furniture.

PLEASE KEEP THESE INSTRUCTIONS FOR FUTURE REFERENCE

Ercol Furniture Ltd, Summerleys Road, Princes Risborough, Buckinghamshire. HP27 9PX ercol.com

2336 Treviso Desk

April 2026 7