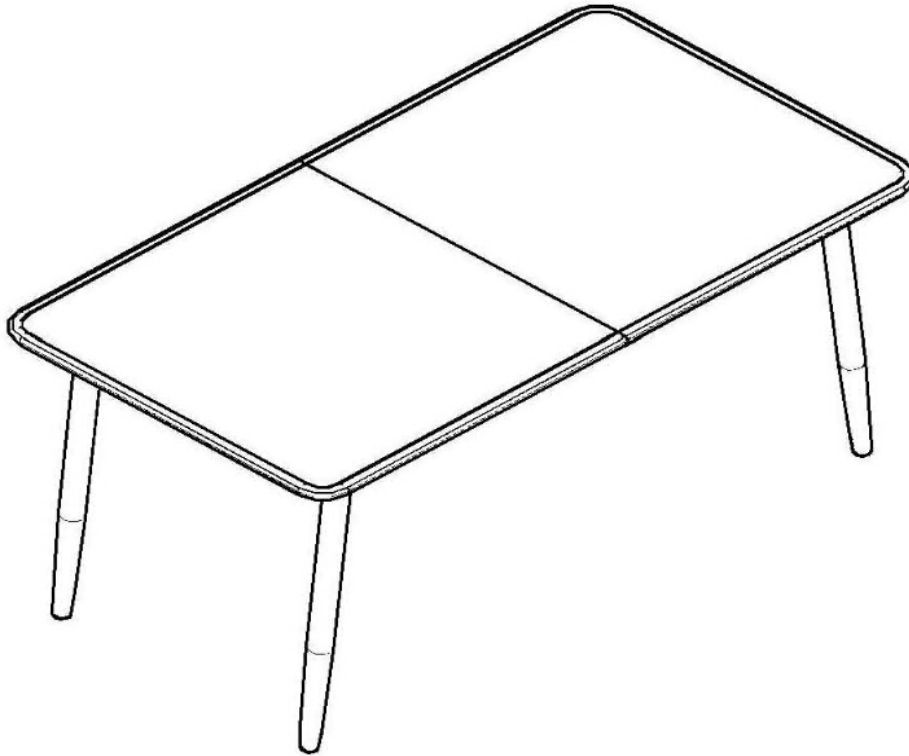


ercol

Teramo 3661 medium extending dining table

Thank you for purchasing this Teramo Dining table. Please read the instructions carefully before use to ensure safe and satisfactory operation of this product.



This item is **HEAVY**



Pre-assembly preparation

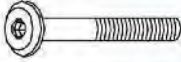


Please ensure instructions are read in full before attempting to assemble this product

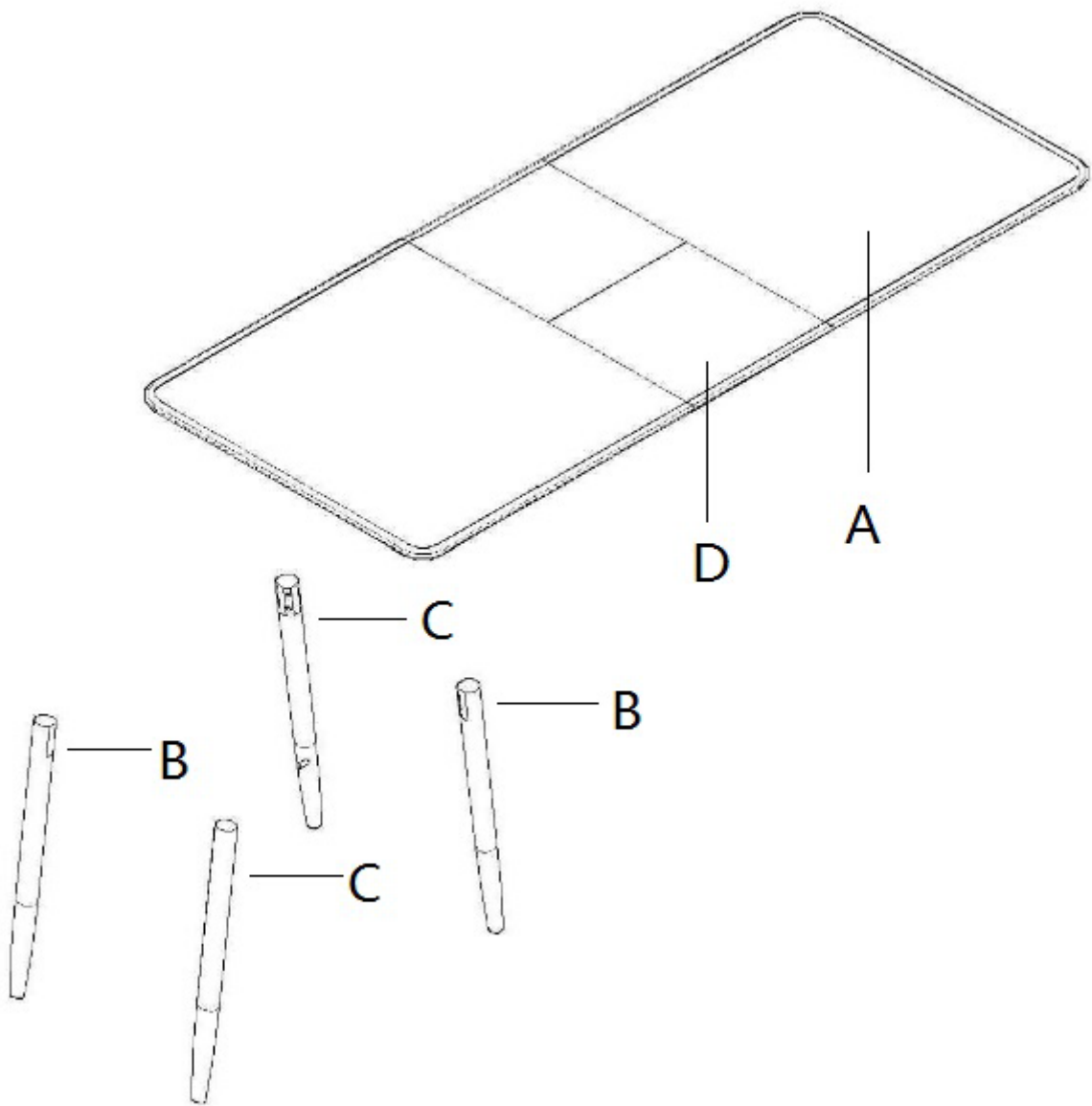
Please check the pack contents before attempting to assemble this product. A full checklist of components is given in this leaflet. If any components are missing, please contact the retailer from whom you bought this product.

This product is **HEAVY**, it should be assembled as near as possible to the point of use. **TAKE CARE WHEN LIFTING** to avoid personal injury and (or) damage to the product.

This product takes approximately **30 MINUTES** to assemble with **2 PEOPLE**.

The fittings pack contains **SMALL ITEMS** which should be **KEPT AWAY FROM YOUNG CHILDREN**.

A	Table top x 1	E	Bolt x 8	
B	Left legs x 2	F	Locking washer x 8	
C	Right legs x 2	G	Washers x 8	
D	Extension leaf x 1	H	Allen key x 1	



Step by step assembly instructions

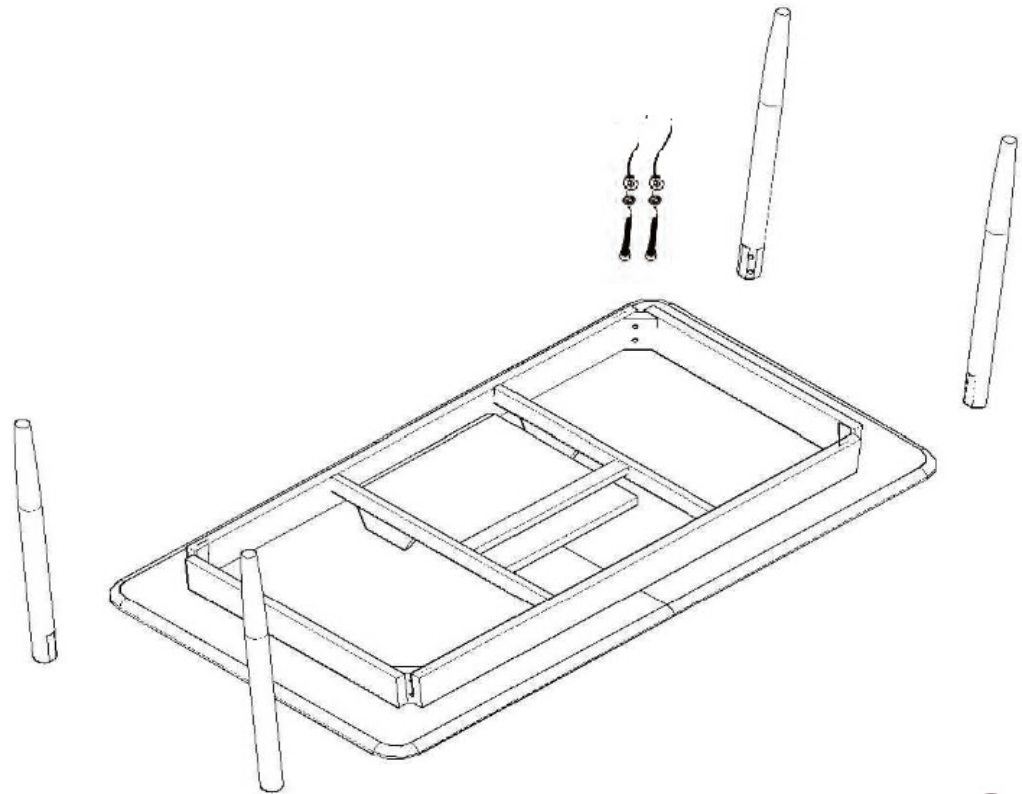
1. Two people maybe necessary to carefully turn the table top face down onto a smooth soft surface such as carpet. Put one leg to the table top and matching the holes, secure the bolts and washers (locking washer first) into the legs through the holes on the end rail of the table top. When ALL bolts and washers are in place, finger tight. Repeat with the three other legs.

 E x 8

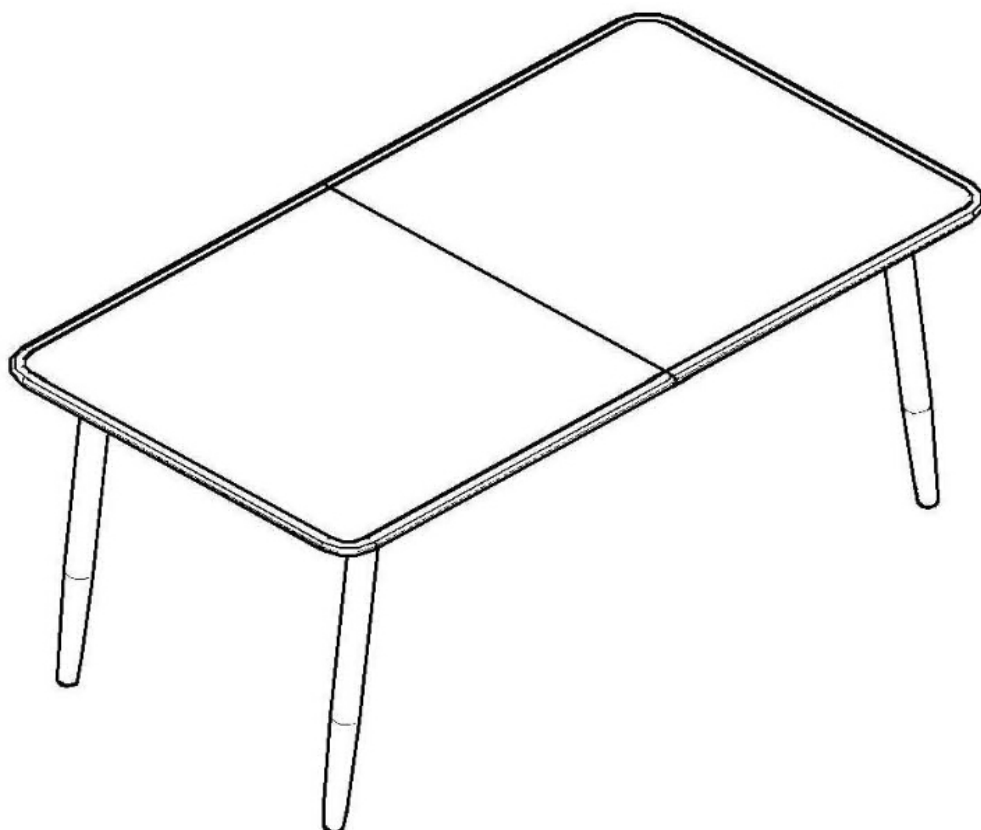
 F x 8

 G x 8

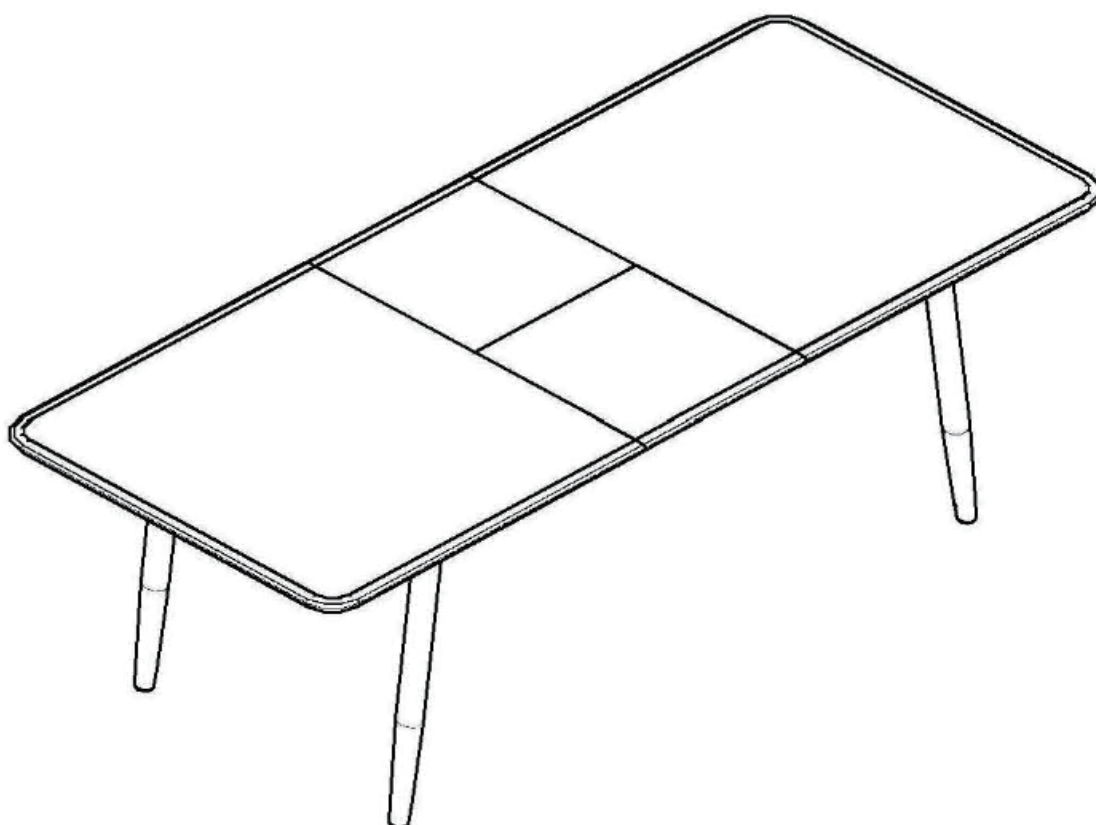
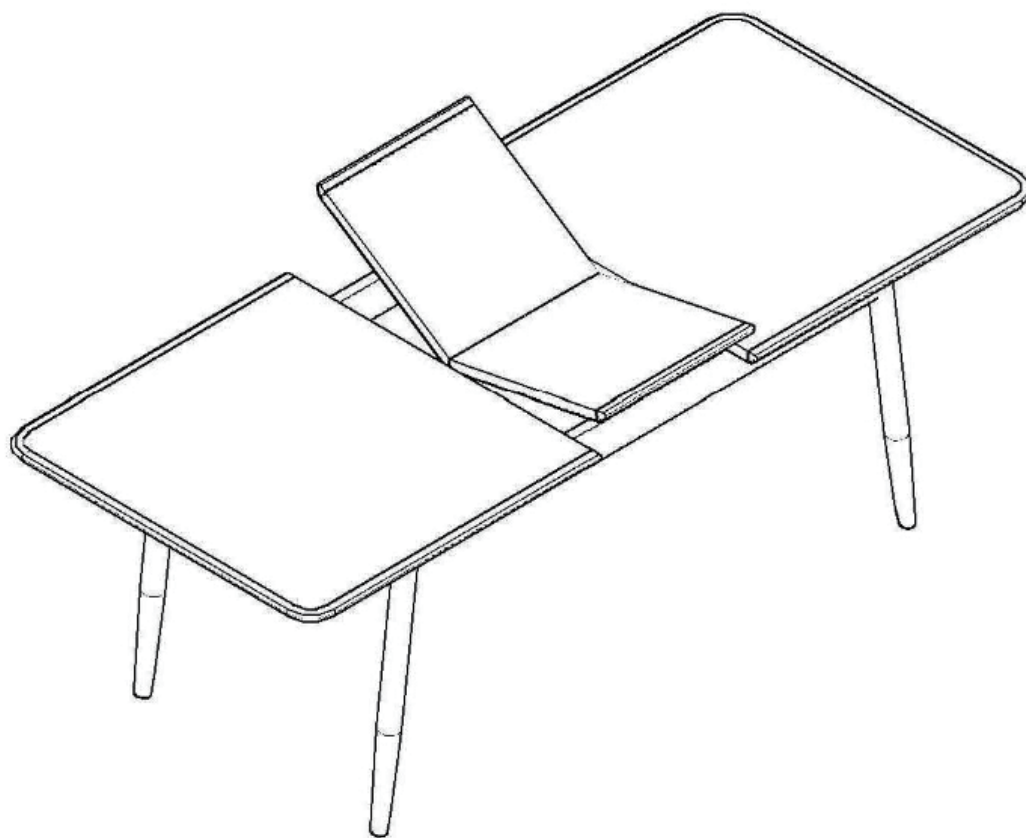
 H x 1



2. After assembling the legs, Please take care this table is very heavy, With the aid of another person carefully lift the table and turn it over. taking care not to turn the table over on two legs as this may cause damage.



3. Grasp the corners of one side of the table top and pull out. Then take out the extension leaf on the table frame making sure the holes on the leaf align with the pins on the table top. then push it back together and secure using the two metal clips underneath the table top. Do the reverse to close the table.



Care and Maintenance

Wood Furniture

Wood displays different grain patterns depending on which way it is cut - for example, the 'medullary ray' which can appear on oak furniture is a mark of good quality timber - these are just characteristics of the natural beauty of the wood. Some furniture is also deliberately aged and rustic.

All timber surfaces will change colour and mellow over time. New furniture will initially vary in shade from items that have been previously purchased.

How to care for your wood furniture

Furniture with a hard lacquer, wax polish or painted surface should be dusted with a dry cloth.

When using the surface for serving food and drinks it is best to use protective mats and coasters. Spillages should be wiped up as soon as possible.

Spray polishes are best avoided as they contain silicones which may spoil the furniture's surface by building up over time. Use of cleaning materials containing abrasive compounds, acidic or caustic reagents and any bleaches containing oxidising reagents should be avoided as prolonged use may damage the lacquer surface. Wipe up spills immediately. If sticky marks occur on the surface they can be removed with a dilute solution of warm soapy water. The offending area should be rubbed lightly and then completely dried immediately afterwards, before replacing any mats etc.

Our furniture will endure most temperatures in the home but it is best to avoid placing furniture next to heat sources such as radiators or fires. Be particularly careful with solid wood as the lack of humidity caused by central heating can cause damage such as warping.

Safety Instructions

Never drag furniture when moving it, always lift it. Please take care when handling or moving the furniture as careless handling may cause damage or injury. No liability will be accepted for damage or injury caused by incorrectly installed furniture.

PLEASE KEEP THESE INSTRUCTIONS FOR FUTURE REFERENCE