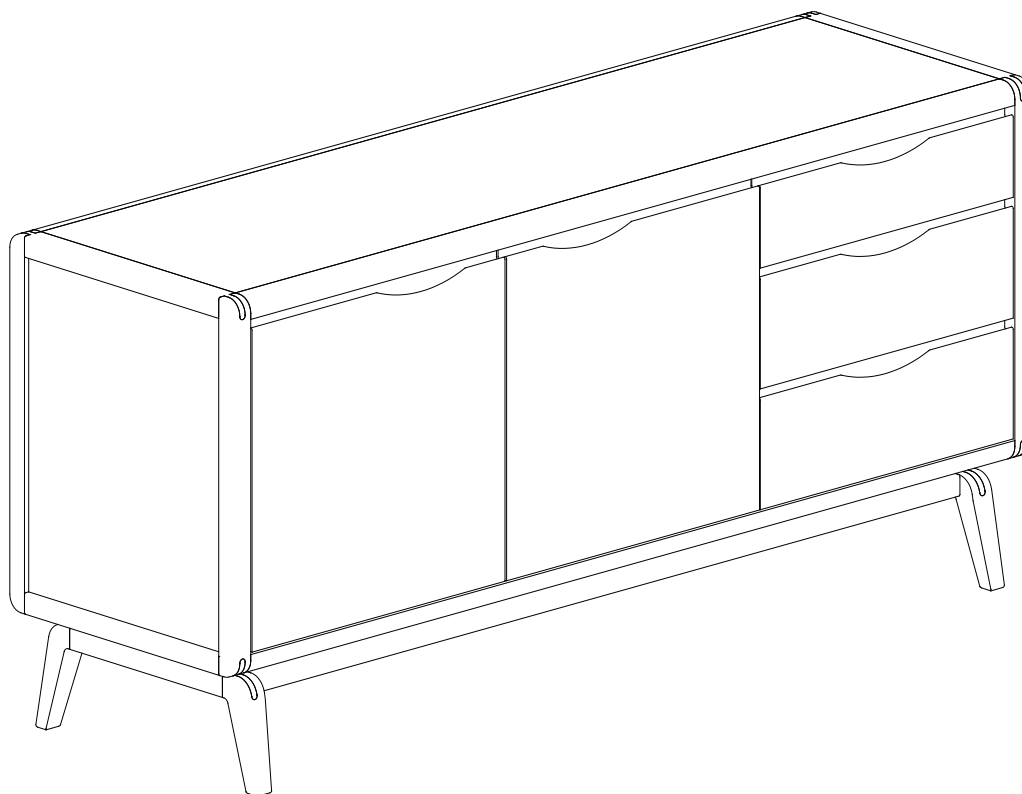


ercol

ENGLAND SINCE 1920

4080 LUGO LARGE SIDEBOARD



Thank you for purchasing this Lugo large sideboard. Please ensure instructions are read in full before attempting to assemble this product.

Installation should be carried out exactly according to the manufacturers instructions, otherwise a safety risk can occur if incorrectly installed. Cabinets and shelving over 600mm high can be unstable and should be fixed to the wall.

This product is heavy, it should be assembled as near as possible to the point of use. Take care when lifting to avoid personal injury and (or) damage to the product.

The fittings pack contains small items which should be **KEPT AWAY FROM YOUNG CHILDREN.**

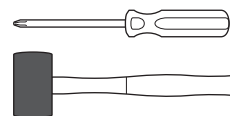
Read this leaflet in full before commencing assembly.

Please check the pack contents before attempting to assemble this product. A full checklist of components is given in this leaflet. If any components are missing, please contact the retailer from whom you bought this product.

Pre-assembly preparation



Items you will need



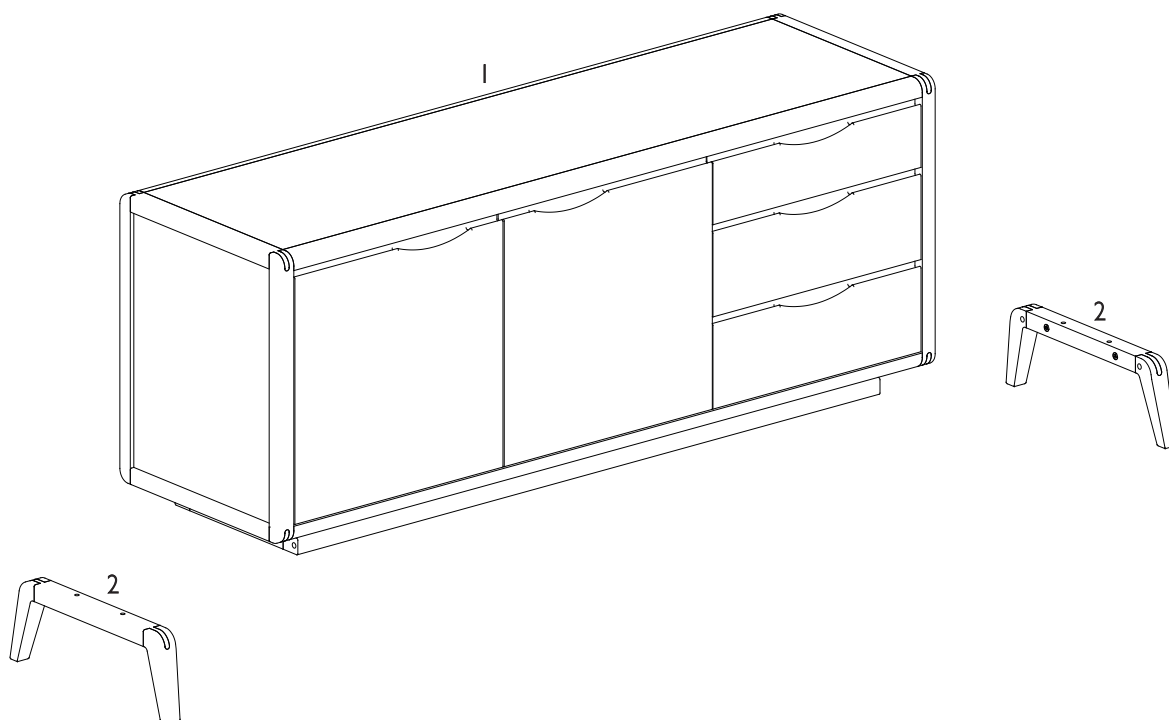
This is a two person operation

Parts checklist

1	1 x Cabinet	450mm x 592mm x 1500mm
2	2 x Leg	38mm x 158mm x 445mm

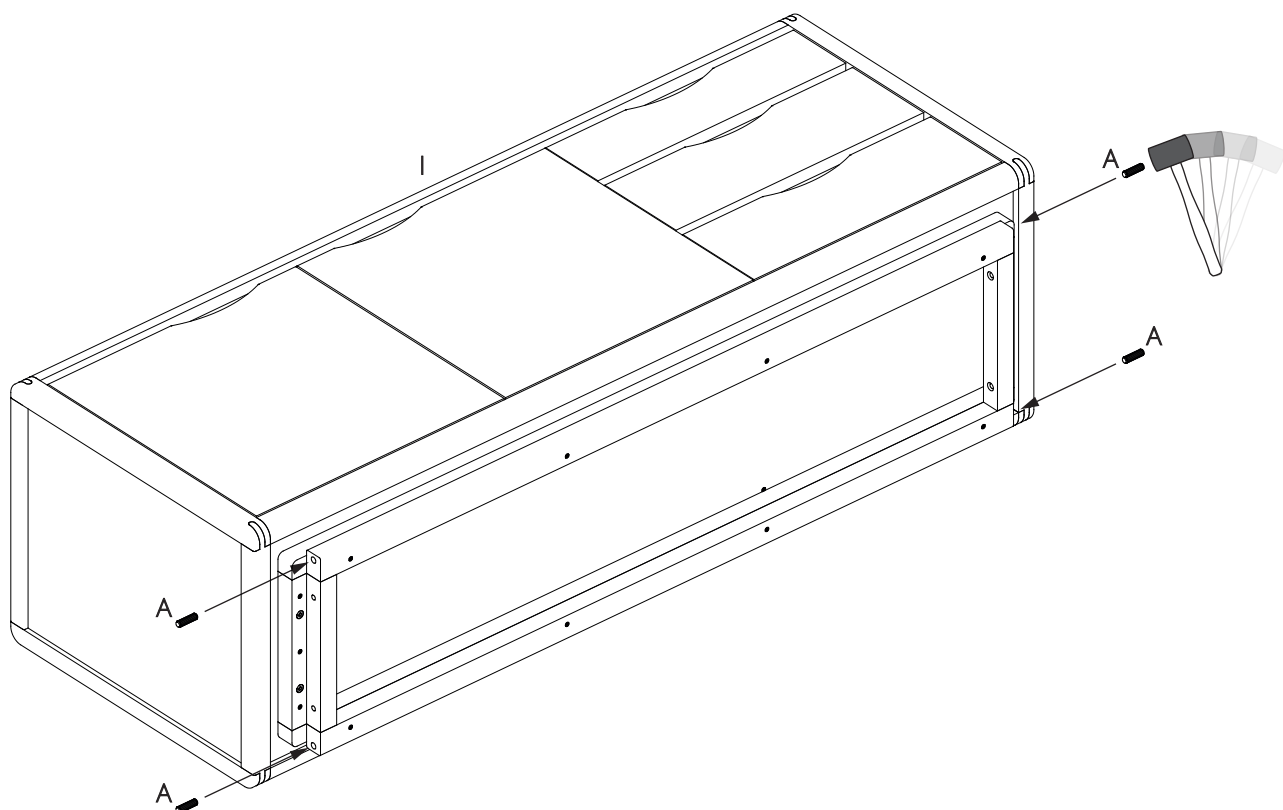
Fitting checklist

A	4 x wooden dowels (10 x 35)	
B	8 x allen head bolt (M6 x 50 - Black)	
C	2 x screw (3,5 x 16)	
D	1 x allen key (M4)	
E	1 x wedge	

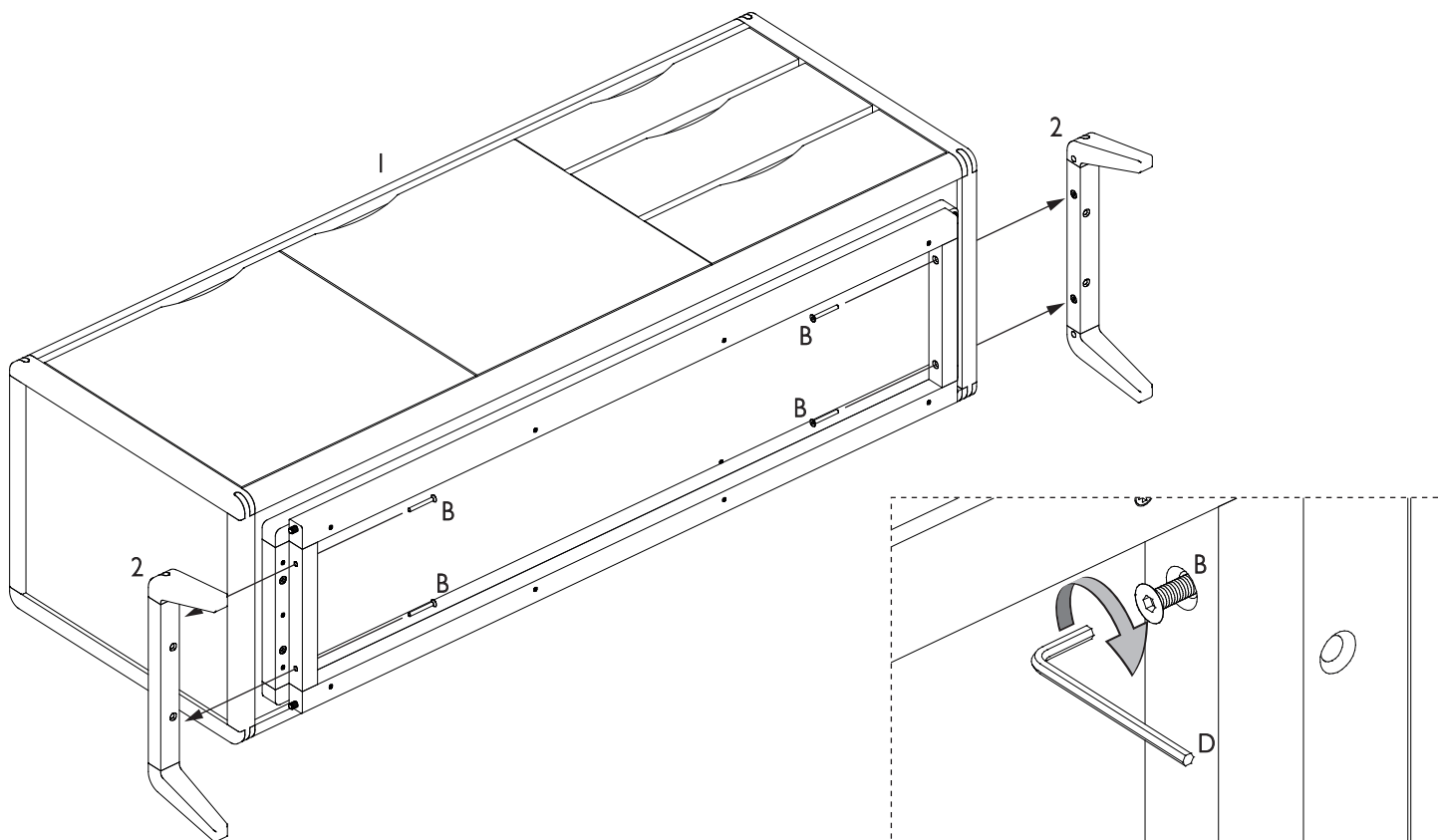


Step by step assembly instructions

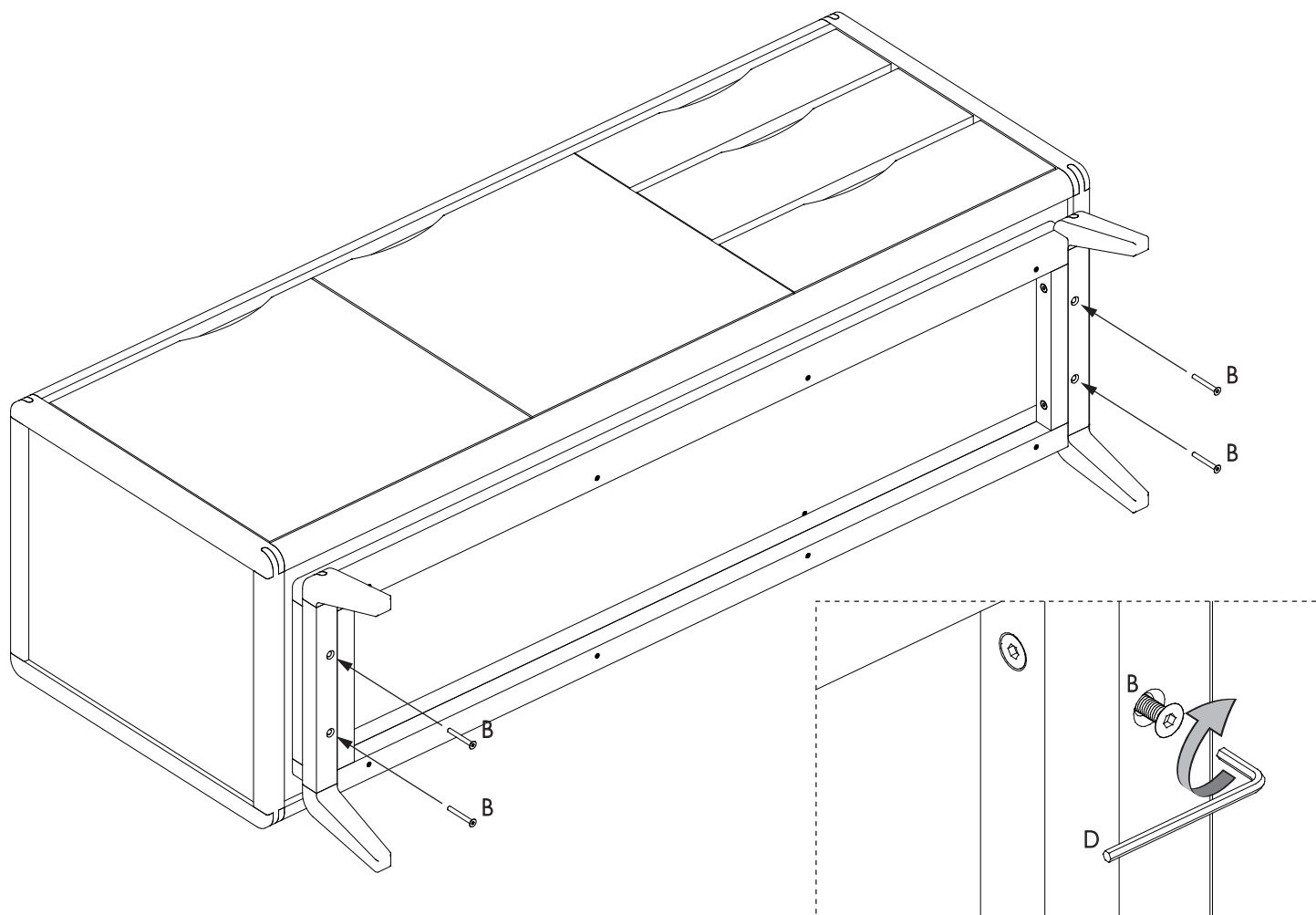
1. Insert 4x wooden dowels (A) into the pre-drilled holes under the cabinet (1) by using a soft hammer.



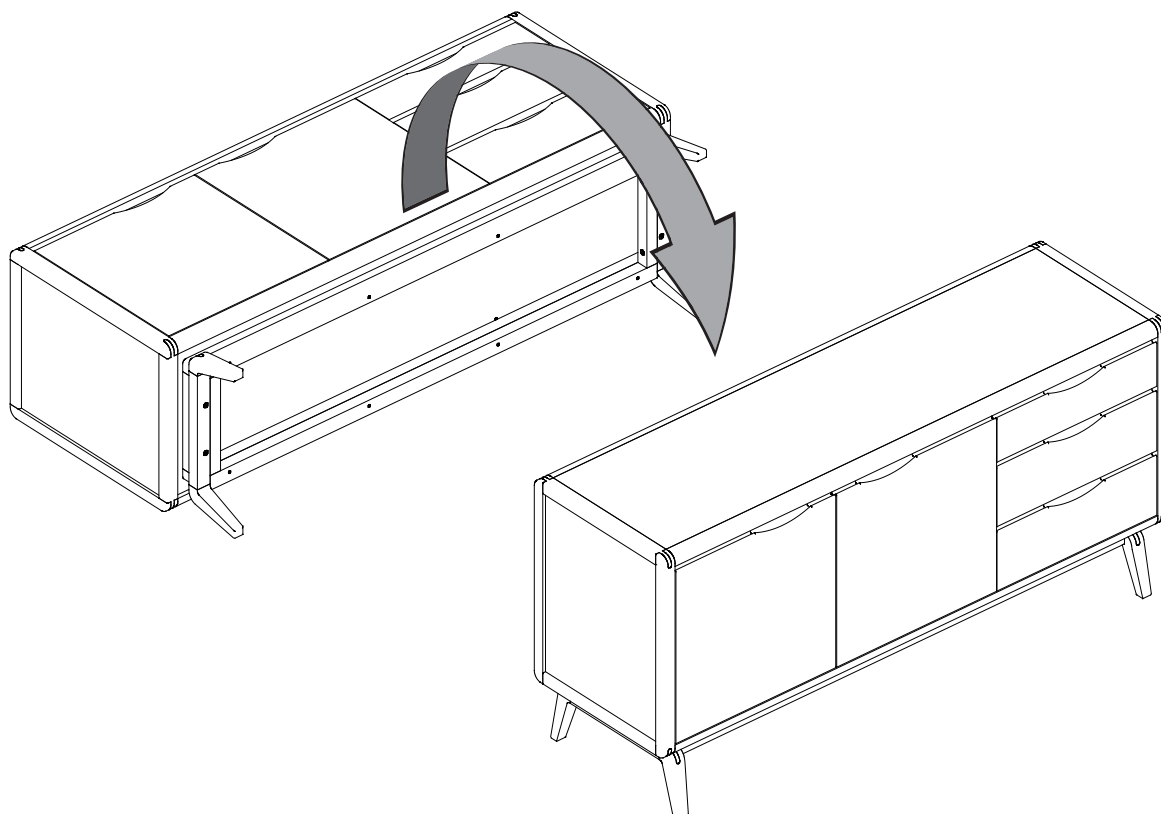
2. Attach the legs (2) to the cabinet (1) by using 4x allen head bolts (B) and the allen key (D) as shown below.



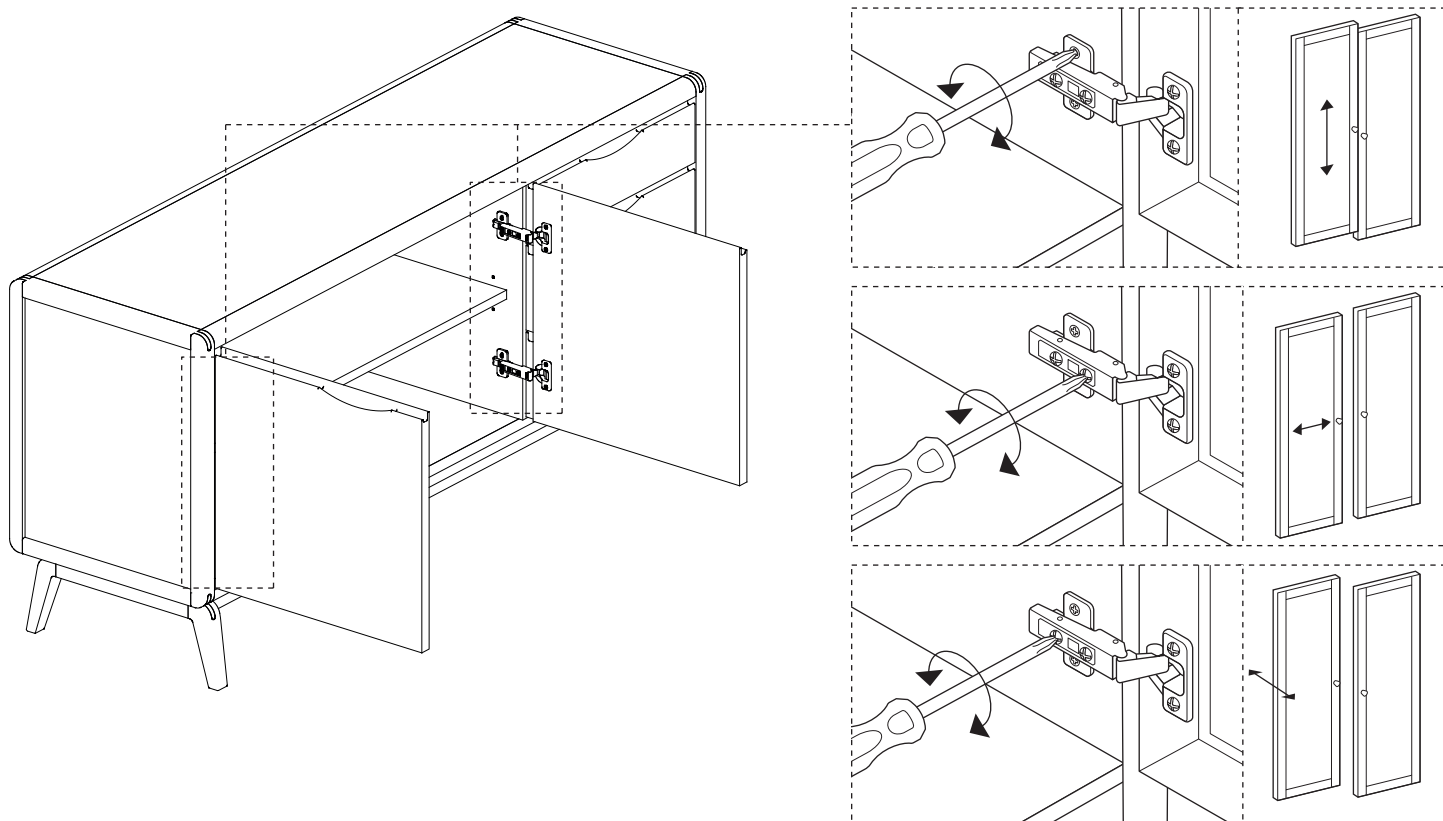
3. Fix the remaining 4 allen head bolts (B) to the legs (2) by using the allen key (D).



4. Lift the unit to standing position.

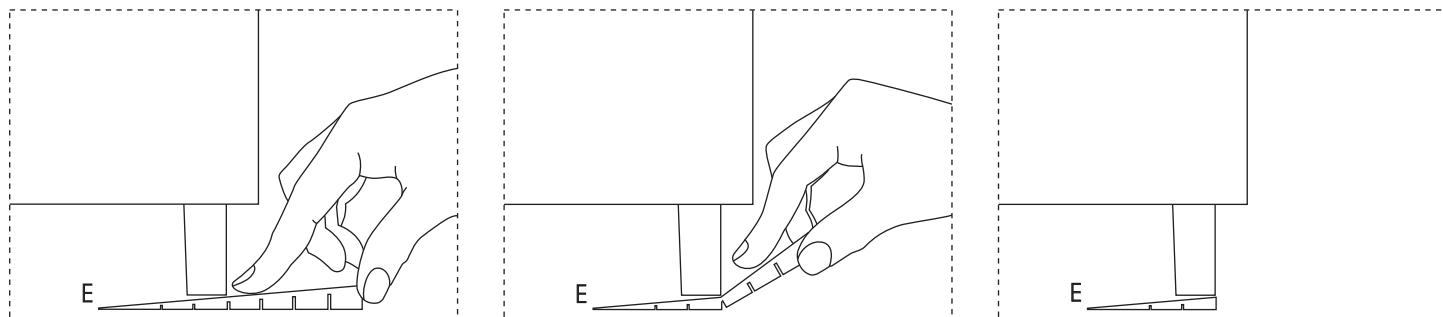


Door Adjustment

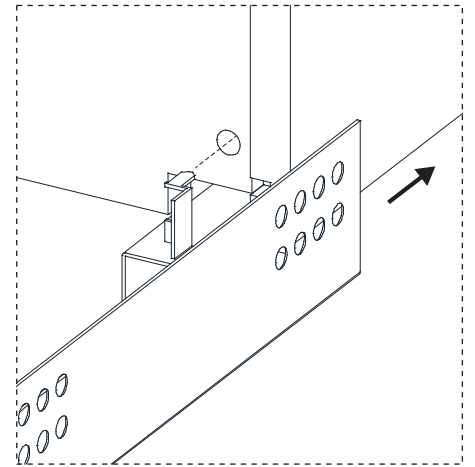
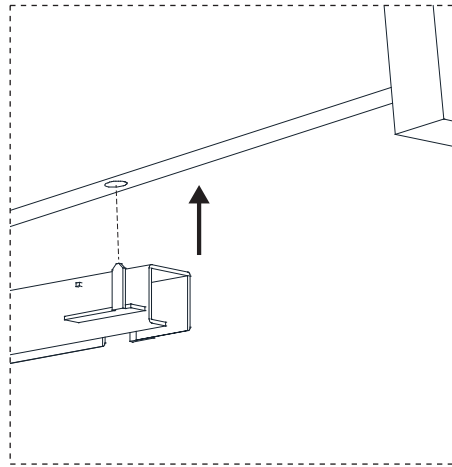
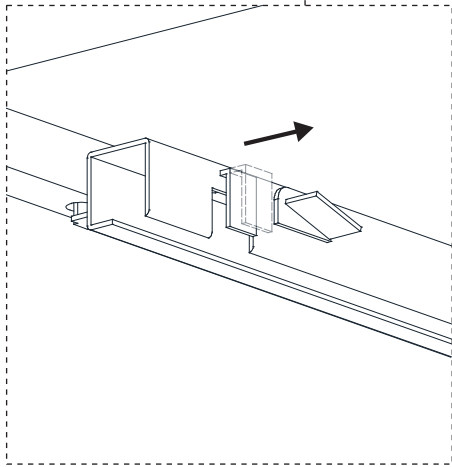
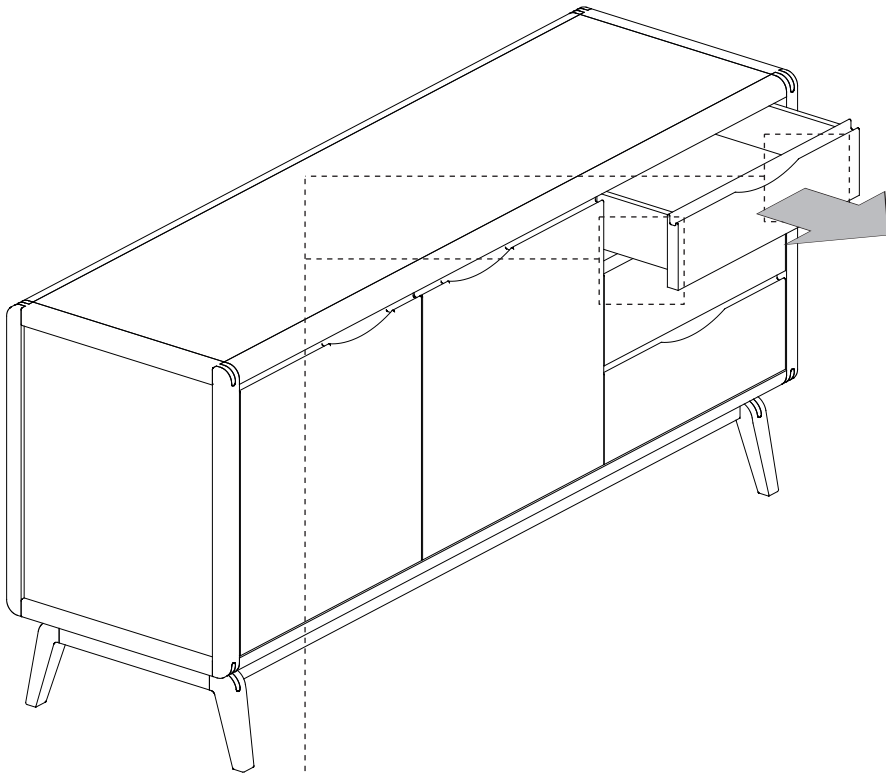


Wedge Instructions

If the sideboard is not level on your floor use the wedge (E) provided, and snap it off so that it does not protrude out from the cabinet's leg, you can also snap it lengthways if desired.



Removing The Drawers



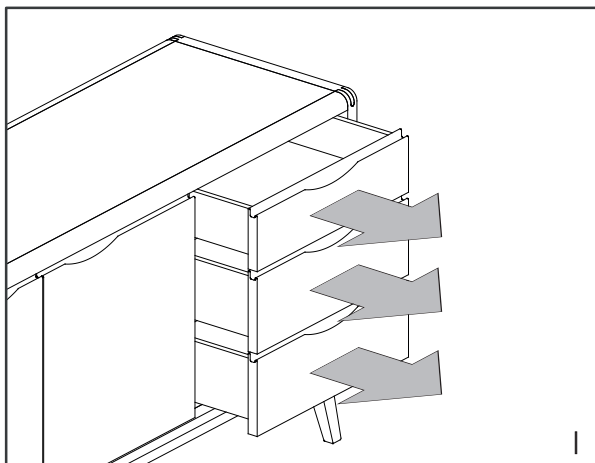
Wall Fixing Instructions

1 Remove the drawers.

2 Place your product in the final position. Loosen the screws on the metal brackets just enough so that the slotted bracket can be extended to meet the wall.

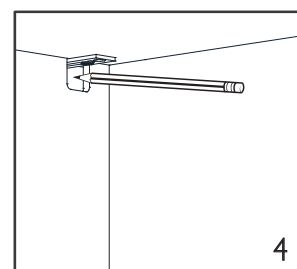
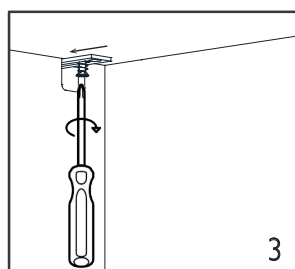
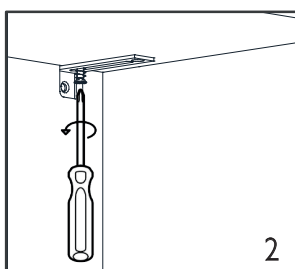
3 Then re-secure the screws.

4 Mark the wall for drilling through the hole in the short face of the bracket.



Then remove the unit from the wall so that the marked holes can be drilled.

Ensure you use an appropriate fixing type for your wall (see page 8). Then return the unit to position.



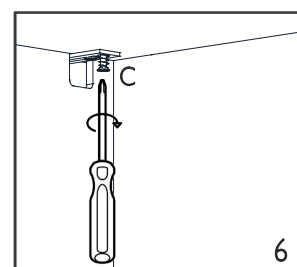
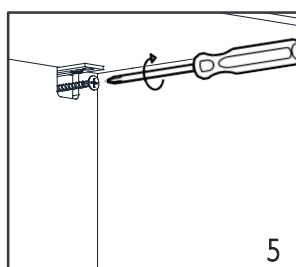
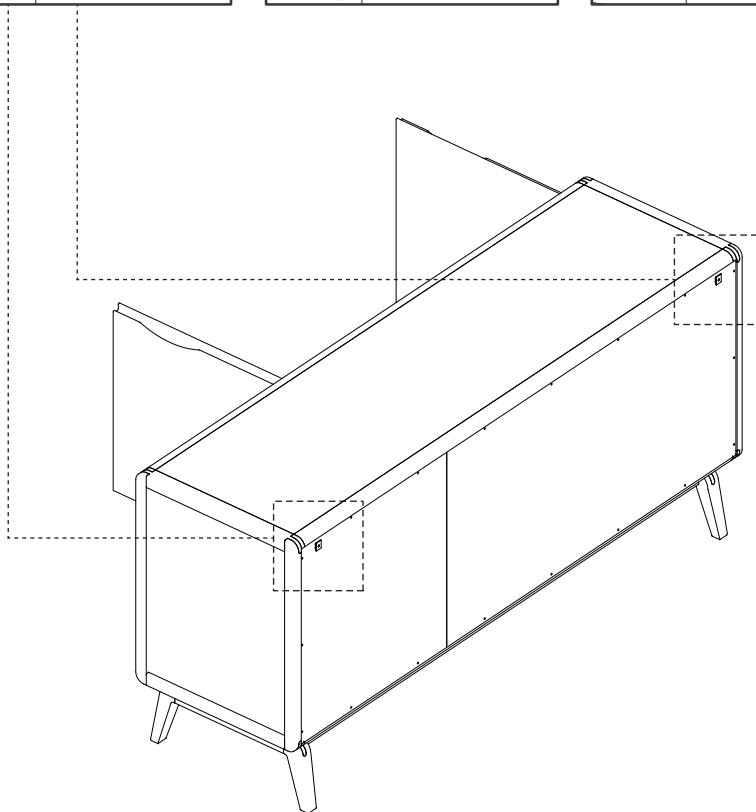
5 Secure the unit to the wall fixings with own screws through the brackets.

6 Finally add the extra securing screws (C) to the holes in the long faces of the brackets.



Warning

Serious or fatal crushing injuries can occur from furniture tipping over. To prevent this sideboard tipping over it must be permanently fixed to the wall.



A guide to wall mounting and fixings



Warning

Serious or fatal crushing injuries can occur from furniture tipping over.

To prevent this furniture from tipping over it must be permanently fixed to the wall.

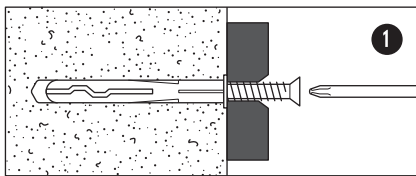
Wall fixing screws are not included, since different wall materials require different types of screws / fixings. Please ensure you use the correct screws / fixings for your type of walls and seek professional advice if you are not sure.

Failure of the product due to incorrect fixings is the responsibility of the installer.

Important: When drilling into the walls always check that there are no hidden wires or pipes etc.

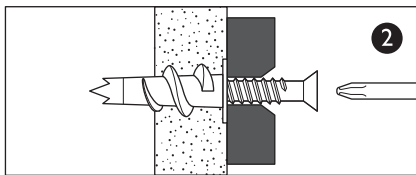
Types of walls

You can use one of the following types of wall plug if your walls are made of brick, breezeblock, concrete, stone or wood.



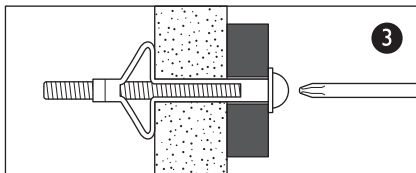
1. General Purpose wall plug

Generally aerated blocks should not be used to support heavy loads, use a specialist fitting in this case. For light loads, general - purpose wall plugs can be used.



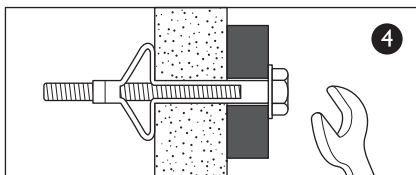
2. Plasterboard wall plug

For use when attaching light loads on to plasterboard partitions.



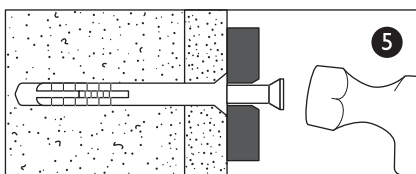
3. Cavity Fixing wall plug

For use with plasterboard partitions or hollow wooden doors.



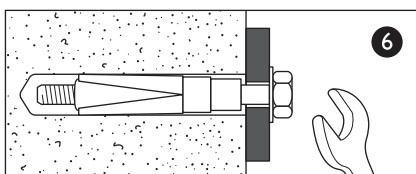
4. Cavity Fixing - Heavy Duty wall plug

For use when fitting or supporting heavy loads such as shelving, wall cabinets and coat racks.



5. Hammer Fixing wall plug

For use with walls stuck with plasterboard. The hammer fixing allows it to be fixed to the wall rather than the plasterboard. Always check the fixing is secure to the retaining wall.



6. Shield Anchor wall plug - Heavy loads

For use with heavier loads such as TV and Hi-Fi speakers and satellite dishes etc.



Safety: Periodically check all fittings and wall fixings to ensure they have not come loose and retighten as necessary.

Care and maintenance

Wood Furniture

Wood displays different grain patterns depending on which way it is cut - for example, the 'medullary ray' which can appear on oak furniture is a mark of good quality timber - these are just characteristics of the natural beauty of the wood. Some furniture is also deliberately aged and rustic.

All timber surfaces will change colour and mellow over time. New furniture will initially vary in shade from items that have been previously purchased.

How to care for your wood furniture

Furniture with hard lacquer, wax polish or painted surface should be dusted with a dry cloth. When using the surface for serving food and drinks it is best to use protective mats and coasters. Spillages should be wiped up as soon as possible.

Spray polishes are best avoided as they contain silicones which may spoil the furniture's surface by building up over time. Use of cleaning materials containing abrasive compounds, acidic or caustic reagents and any bleaches containing oxidising reagents should be avoided as prolonged use may damage the lacquer surface. Wipe up spills immediately. If sticky marks occur on the surface they can be removed with a dilute solution of warm soapy water. The offending area should be rubbed lightly and then completely dried immediately afterwards, before replacing any mats etc.

Our furniture will endure most temperatures in the home but it is best to avoid placing furniture next to heat sources such as radiators or fires. Be particularly careful with solid wood as the lack of humidity caused by central heating can cause damage such as warping.

Safety Instructions

Never drag furniture when moving it, always lift it. Please take care when handling or moving the furniture as careless handling may cause damage or injury. No liability will be accepted for damage or injury caused by incorrectly installed furniture.

PLEASE KEEP THESE INSTRUCTIONS FOR FUTURE REFERENCE