

4265 CORSO BENCH

The Corso bench is versatile, providing seating for 2-3 adults (or more children), it works equally well with the corso table as it does in a hallway, where you get the beautiful end view, or at the end of a bed, as an elegant alternative to a blanket box. It is available in a broad selection of finishes, with or without a fixed upholstered pad available in a choice of fabrics from the Ercol Collection.



TECHNICAL SPECIFICATIONS

CONSTRUCTION

Solid Ash

FINISHES AVAILABLE

Black, Clear Matt, Darkened, Dark Wood, Golden Dawn, Light, Whitened, Straw

FABRIC COLLECTION

ercol collection

DESIGNED BY

In-house design

COUNTRY OF ORIGIN

UK

PRODUCT DIMENSIONS

Width: 138cm

Depth: 45cm

Height: 46cm

UNPACKED WEIGHT

12kg

ASSEMBLY

Fully assembled

PACKAGED DIMENSIONS

44cm (H) x 143cm (W) x 52.5cm (L). 15kg

SEAT HEIGHT

46cm

SEAT DEPTH

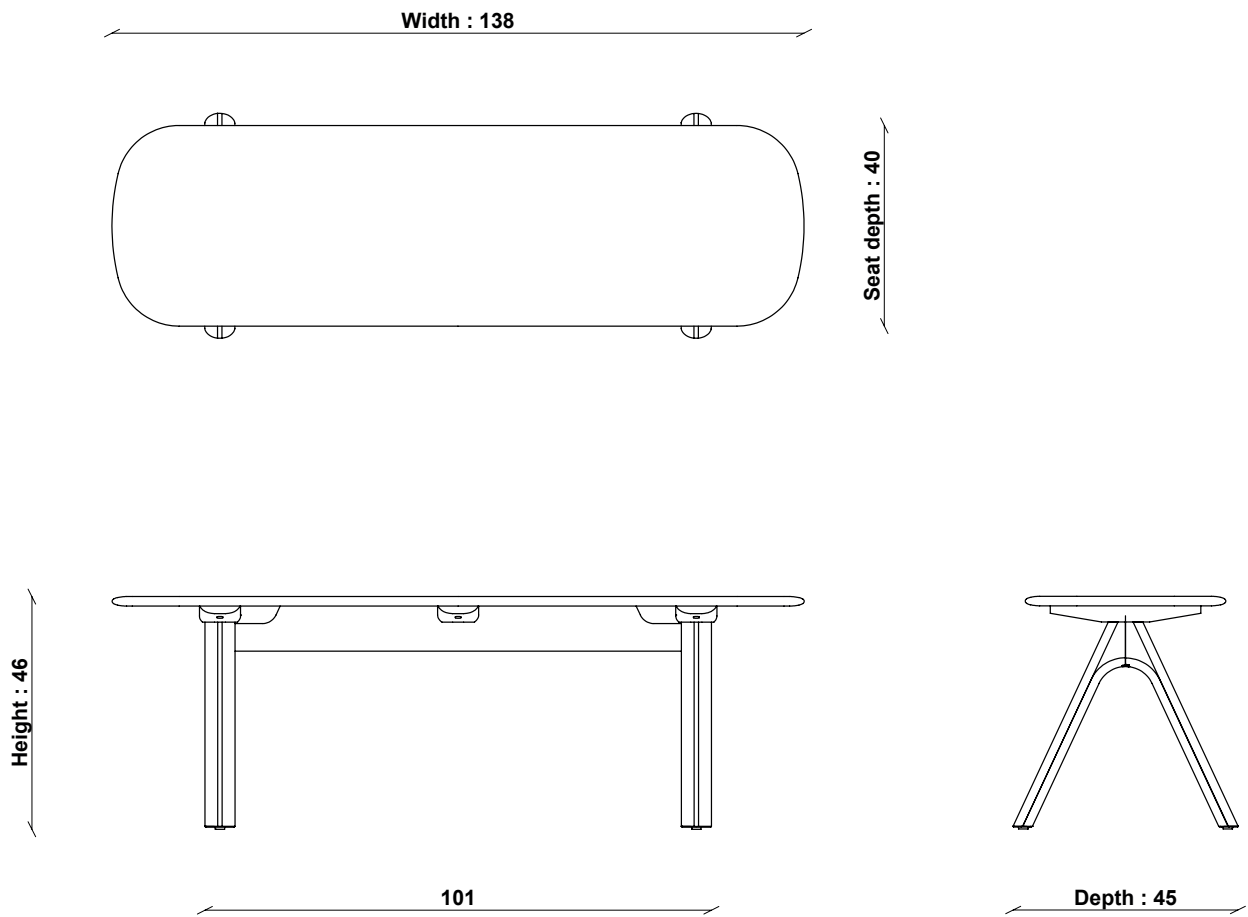
40cm

SEAT WIDTH ARM TO ARM

138cm

4265 CORSO BENCH

TECHNICAL DRAWING - All dimensions in CM



ercol