

## marinello upholstery range

---

Thank you for purchasing this marinello upholstery. Please read the instructions carefully before use to ensure safe and satisfactory operation of this product

---



---

Please read these instructions carefully before fitting the wooden legs to your new furniture. It is critical that the legs are correctly fitted otherwise serious damage could occur.

---

### Pre-assembly preparation



### Necessary Tools



---

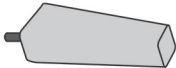

Please check the pack contents before attempting to assemble this product. A full checklist of components is given in this leaflet. If any components are missing, please contact the retailer from whom you bought this product.

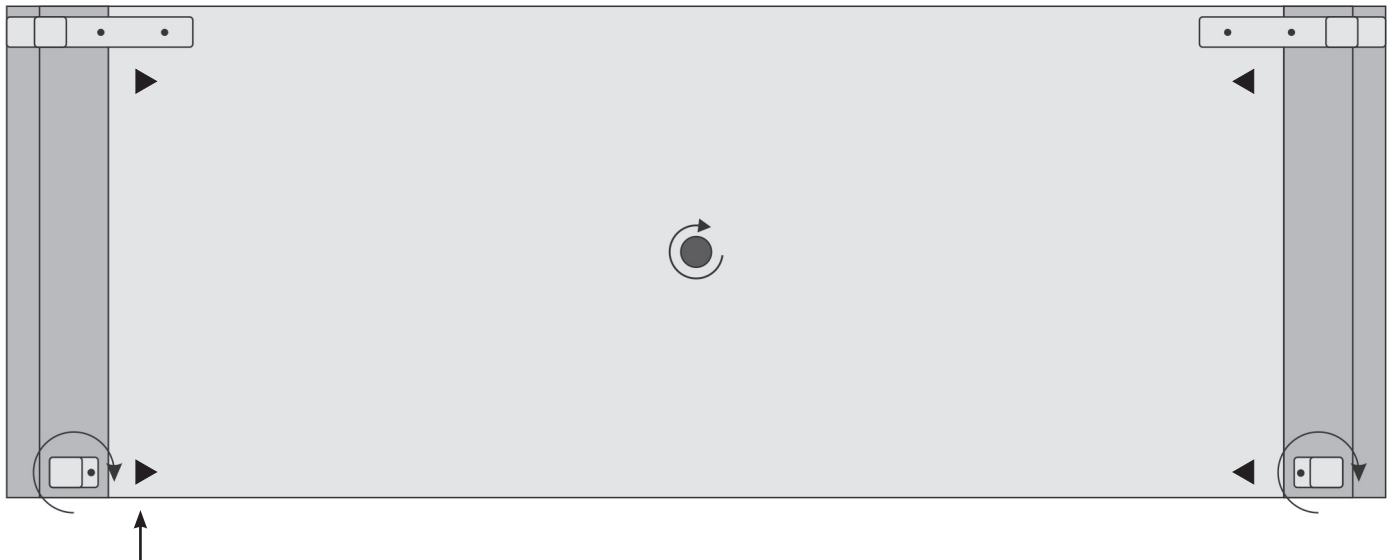
This product is **HEAVY**, it should be assembled as near as possible to the point of use. **TAKE CARE WHEN LIFTING** to avoid personal injury and (or) damage to the product.

The fittings pack contains **SMALL ITEMS** which should be **KEPT AWAY FROM YOUNG CHILDREN**.

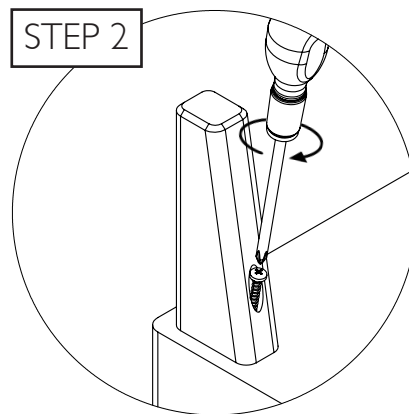
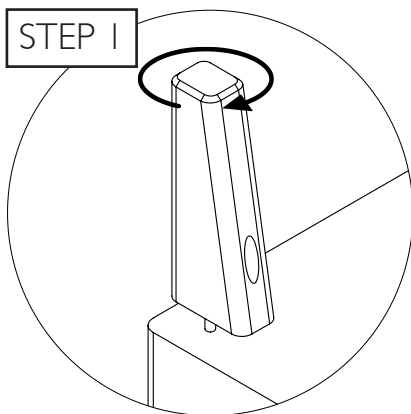
Read this leaflet in full before commencing assembly.

## Fittings and parts checklist

1	legs x 2	
2	black centre foot large sofa and large modular unit only	



Remove the triangular transport glides shown.



Carefully lie the sofa or chair on it's back on a clean soft surface, this is a two person operation.

Screw the feet in to the threaded inserts underneath the sofas and chairs at the back and all four corners on the footstool.

When the legs are firmly in place as shown in Step 1, use a cross head screwdriver and screw the feet into place and tighten fully. This will prevent the legs from rotating.

**Please note:-** The large sofa has 5 legs.  
The footstool legs will need fitting.

**PLEASE KEEP THESE INSTRUCTIONS FOR FUTURE REFERENCE**

Ercol Furniture Ltd, Summerleys Road, Princes Risborough, Buckinghamshire. HP27 9PX [www.ercol.com](http://www.ercol.com)