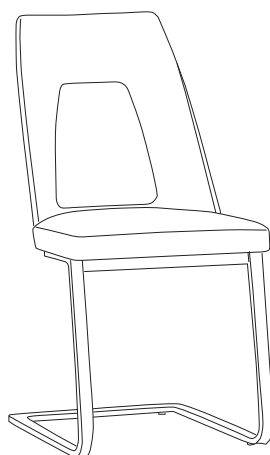


ercol

2645 cantilever chair

Thank you for purchasing this cantilever chair. Please read the instructions carefully before use to ensure safe and satisfactory operation of this product.



Pre-assembly preparation

Please ensure instructions are read in full before attempting to assemble this product

Necessary Tools



Please check the pack contents before attempting to assemble this product. A full checklist of components is given in this leaflet. If any components are missing, please contact the retailer from whom you bought this product.

The fittings pack contains **SMALL ITEMS** which should be **KEPT AWAY FROM YOUNG CHILDREN**.

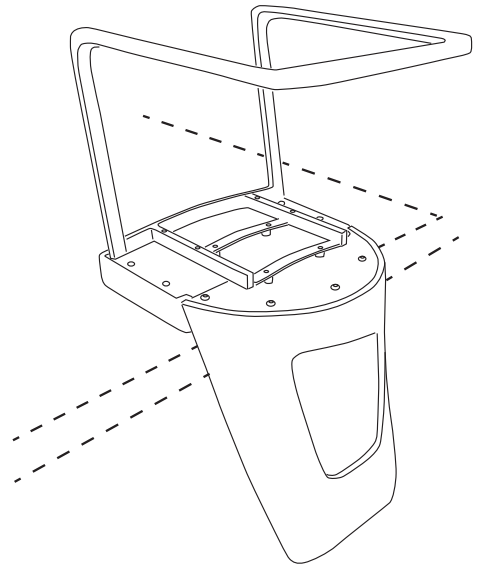
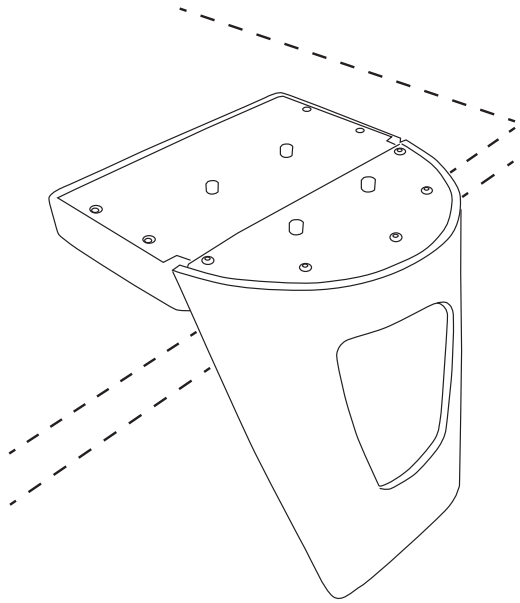
Read this leaflet in full before commencing assembly.

Fittings and parts checklist

A	bolt x 4	
B	spacers x 4	

Step by step instructions

- 1) Place the seat and back of the chair upside down on a table or flat surface.
- 2) Place the white spacers (B) on to the seat holes.
- 3) Place the up turned metal frame onto the seat.



- 4) Place the bolts (A) in the holes, through into the seat and tighten using the alan key provided.
- 5) Before tightening the screws completely, check that the frame is lined up with the front edge of the seat pad
- 6) Tighten fully

