

## 3816 WINDSOR CABINET WITH DRAWERS

This cabinet has an adjustable shelf, as well as two deep drawers offers adaptable storage space. Quality dovetail jointing feature on the drawer corners and reinforce the quality of joinery characteristic of ercol. This ash furniture is finished in a wide choice of lacquer colours that protects the timber. This cabinet 68cm high and suitable for use with a display top from the Windsor collection.



---

### TECHNICAL SPECIFICATIONS

---

#### CONSTRUCTION

Solid Ash

---

#### FINISHES AVAILABLE

Black, Clear Matt, Darkened, Dark Wood, Golden Dawn, Light, Whitened, Straw, White

---

#### DESIGNED BY

Inspired by Lucian Ercolani and developed by the ercol Design Studio

---

#### COUNTRY OF ORIGIN

UK

---

#### PRODUCT DIMENSIONS

Width: 91cm

Depth: 46cm

Height: 68cm

---

#### UNPACKED WEIGHT

36kg

---

#### ASSEMBLY

Fully assembled

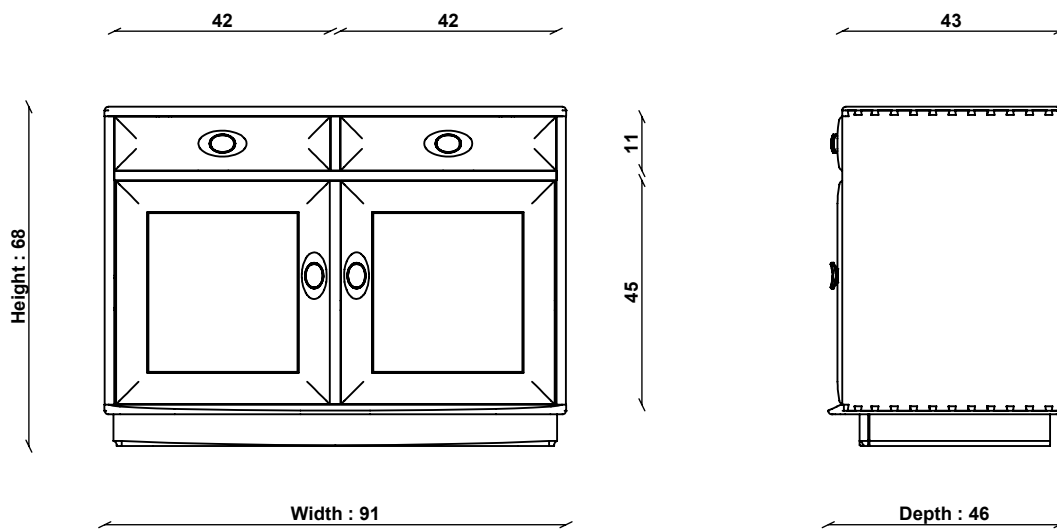
---

#### PACKAGED DIMENSIONS

45cm (H) x 96cm (W) x 71cm (L). 39.5kg

# 3816 WINDSOR CABINET WITH DRAWERS

TECHNICAL DRAWING - All dimensions in cm



## ADDITIONAL DIMENSIONS

### ADJUSTABLE SHELF DIMENSIONS

Width 87cm  
Depth 35cm  
Height 2cm

### HEIGHT ABOVE ADJUSTABLE SHELF

Highest position 17cm  
Lowest position 24cm

### SHELF ADJUSTMENTS

3 Shelf positions 3.2cm apart