

ercol

3063 BELLINGDON SMALL EXTENDING DINING TABLE



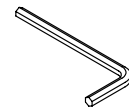
Thank you for purchasing this Bellingdon Small Extending Dining Table. Please ensure instructions are read in full before attempting to assemble this product.

PREPARATION

This is a two person operation



Tools you will need



Included

Please check the pack contents before attempting to assemble this product. A full checklist of components is given in this leaflet. If any components are missing, please contact the retailer from whom you bought this product.

This product is **HEAVY**, it should be assembled as near as possible to the point of use.

TAKE CARE WHEN LIFTING to avoid personal injury and (or) damage to the product.

The fittings pack contains **SMALL ITEMS** which should be **KEPT AWAY FROM YOUNG CHILDREN**.

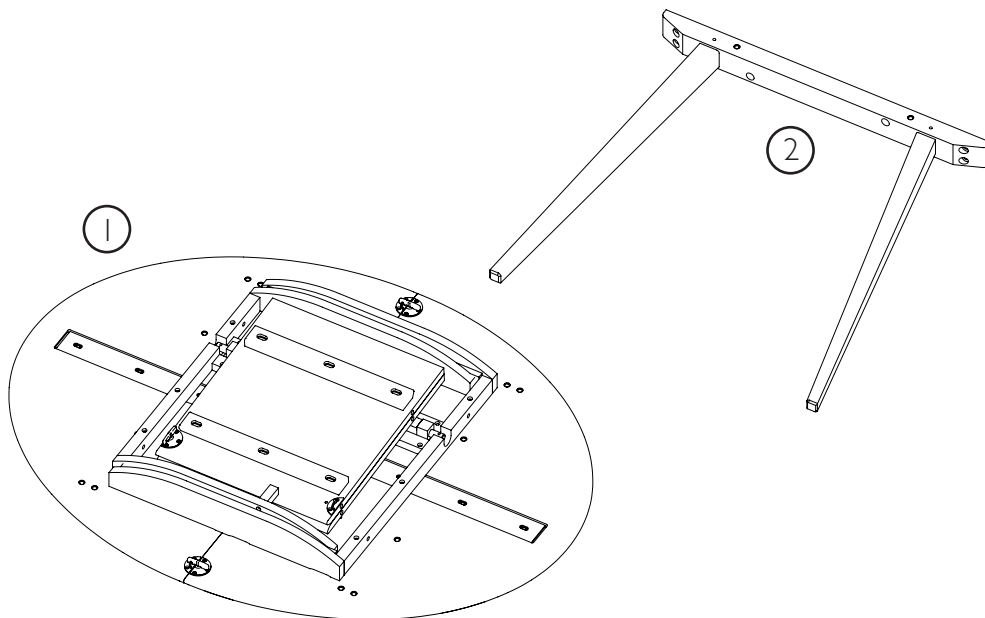
Read this leaflet in full before commencing assembly.

Fittings and parts checklist

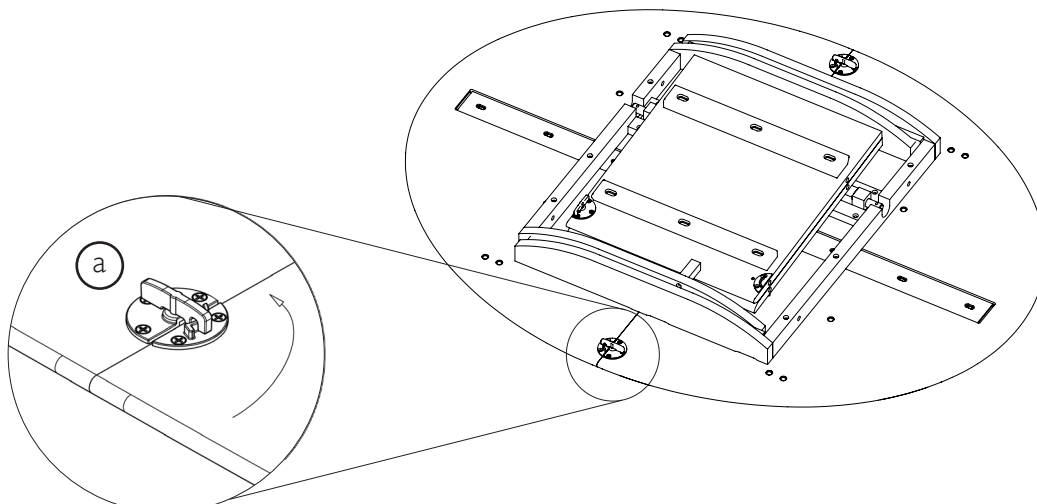
A	M6 x 40mm Bolt x 16	
B	Allen Key x 1	

Bellingdon small extending dining table assembly instructions

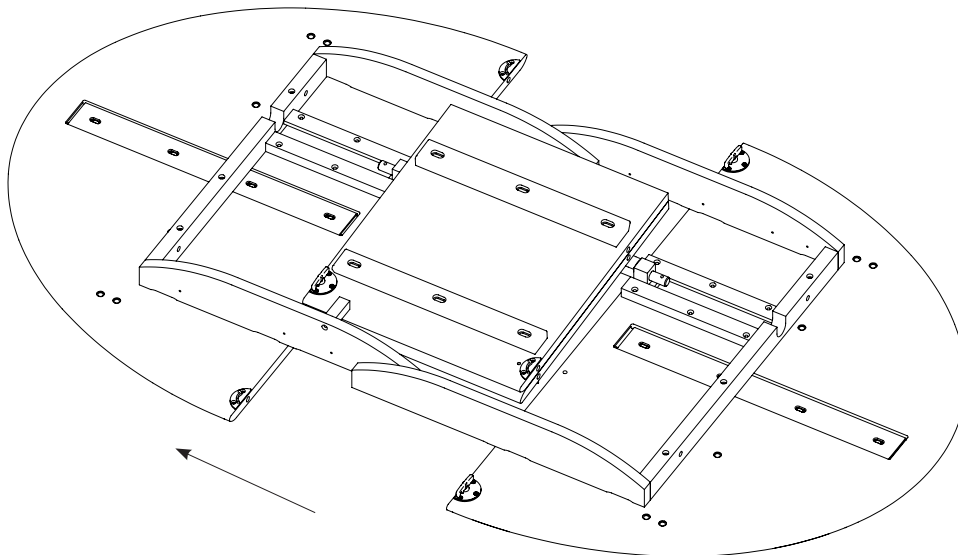
1. Carefully unpack the table top (1) and legs (2) and lay on a carpeted floor or blanket to protect from scratching.



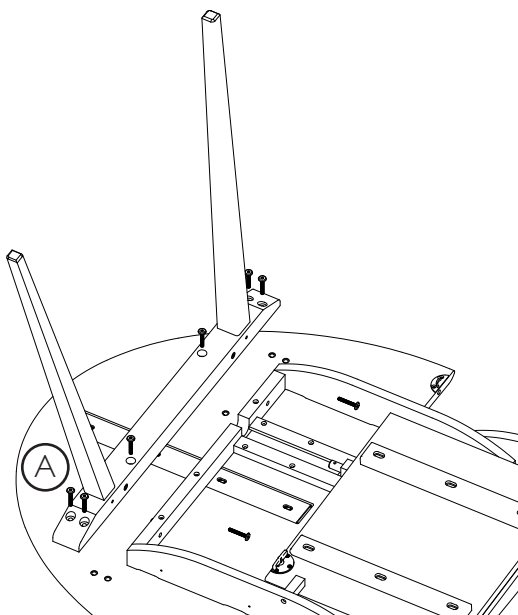
2. Undo the catches on the underside of the table top by turning anticlockwise (a).



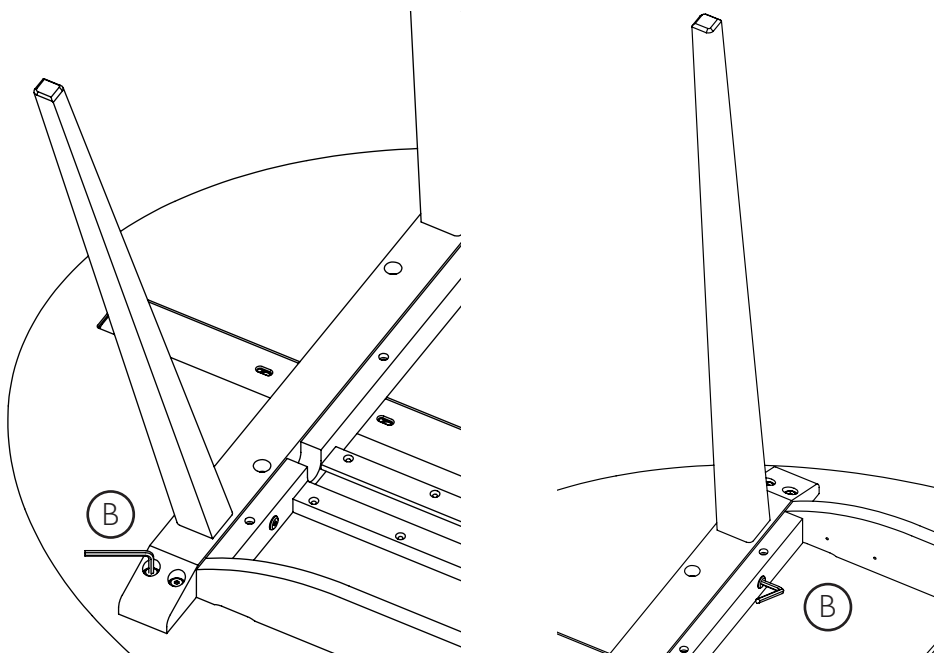
3. Pull the table top apart.



4. Take one leg assembly and align 8 bolts (A) with the holes as shown below.



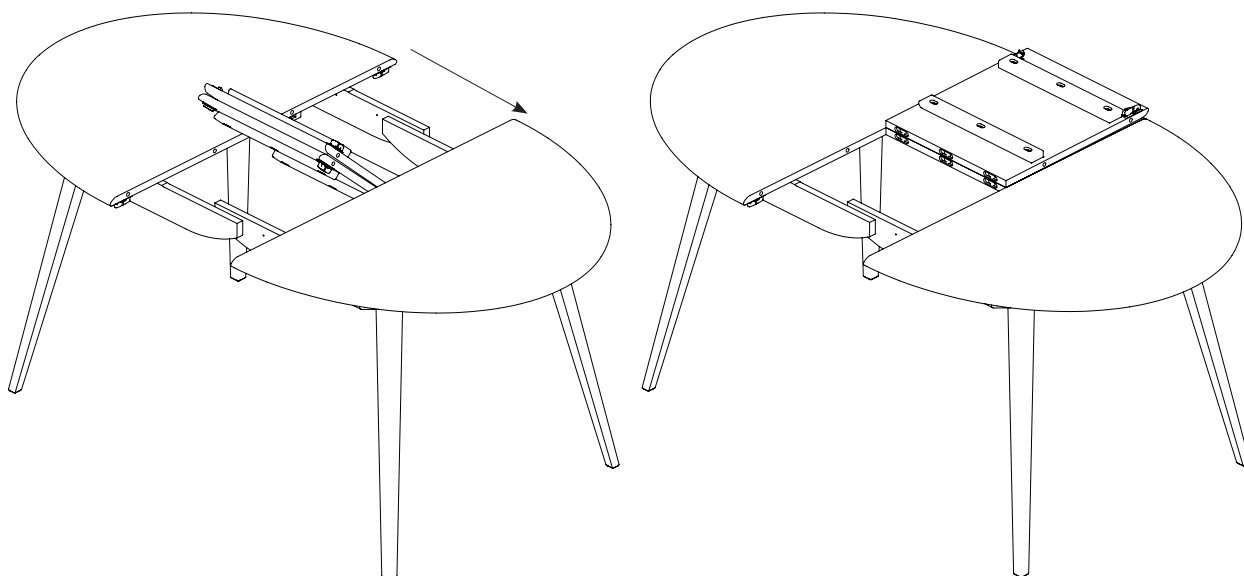
5. Using the allen key (B) fix 8 bolts by turning clockwise. Repeat with the other set of legs.



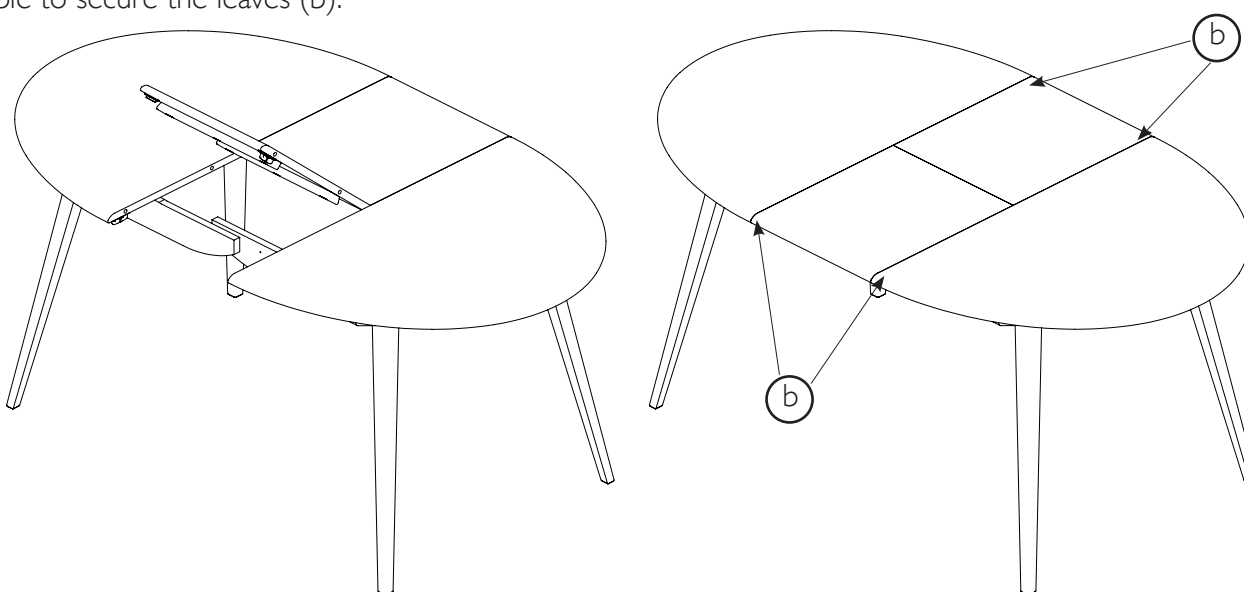
6. Carefully close the table and the right way over.

Extending the table

1. The two leaves are held closed by two catches, one on either side of the underside of the table. Turn the catches and carefully pull the table open as far as it will go. Lift out both flaps of the extension leaf and rest on one side.



2. Lift the top flap as shown and rest on the opposite side. Fasten all four catches on the underside of the table to secure the leaves (b).



Customer Care

For all customer care queries please contact John Lewis Partnership on 03456 049 049.

Wood Furniture

Wood displays different grain patterns depending on which way it is cut. These are characteristics of the natural beauty of the wood. All timber surfaces will change colour and mellow over time.

Safety Instructions

Never drag furniture when moving it, always lift it. Take care when handling or moving the furniture as careless handling may cause damage or injury. No liability will be accepted for damage or injury caused by incorrectly installed furniture.

PLEASE KEEP THESE INSTRUCTIONS FOR FUTURE REFERENCE

Ercol Furniture Ltd, Summerleys Road, Princes Risborough, Buckinghamshire. HP27 9PX ercol.com
3063 Bellingdon Small Extending Dining Table