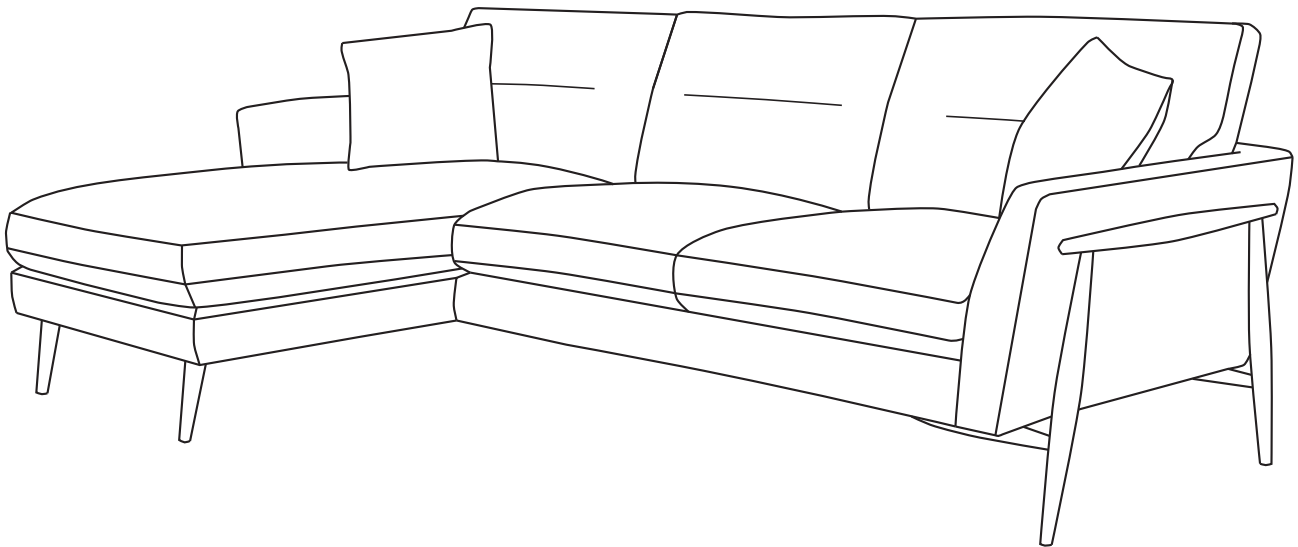


# ercol

## BELLARIA CHAISE & SOFA GROUP



---

Thank you for purchasing this Bellaria Chaise / Sofa. Please ensure instructions are read in full before attempting to assemble this product.

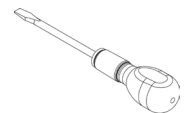
---

### PREPARATION

**This is a two person operation**



**Tools you will need (Bellaria Chaise and Footstool):**



---

Please check the pack contents before attempting to assemble this product. A full checklist of components is given in this leaflet. If any components are missing, please contact the retailer from whom you bought this product.

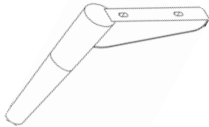
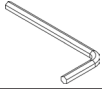


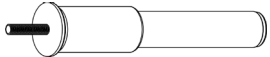
This product is **HEAVY**, it should be assembled as near as possible to the point of use.

**TAKE CARE WHEN LIFTING** to avoid personal injury and (or) damage to the product.

The fittings pack contains **SMALL ITEMS** which should be **KEPT AWAY FROM YOUNG CHILDREN**.

Read this leaflet in full before commencing assembly.

## Fittings and parts checklist

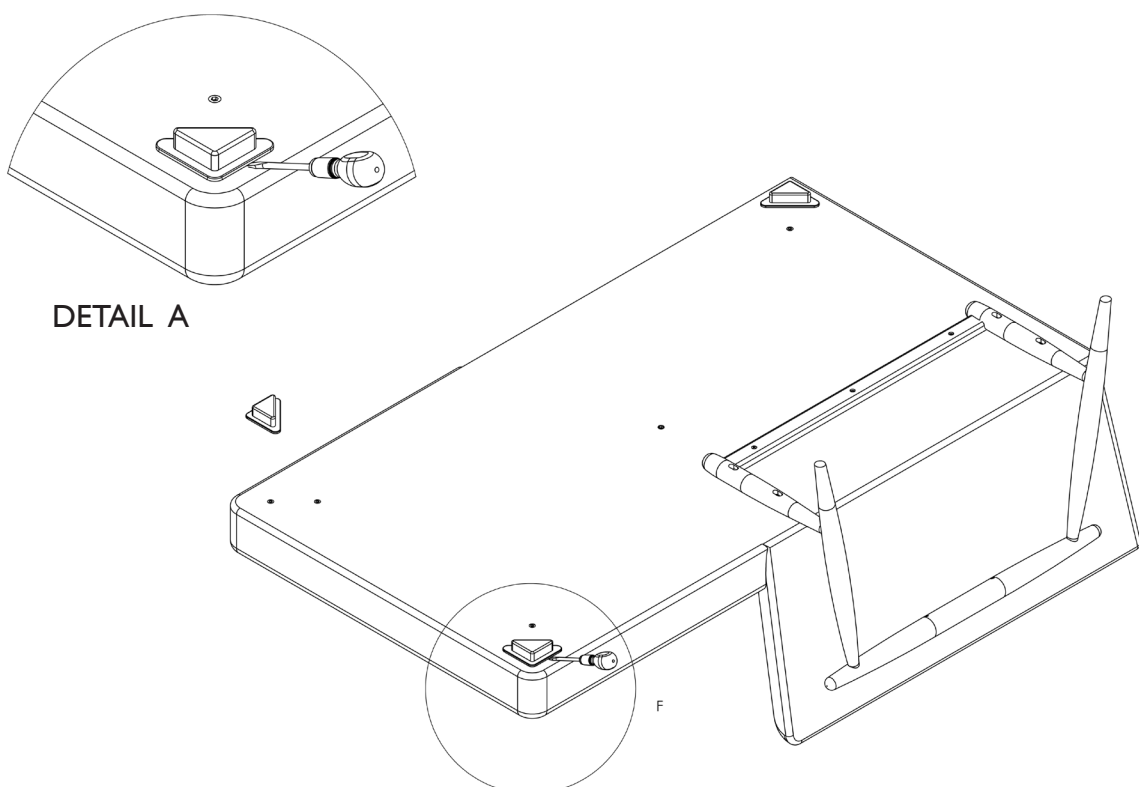
A	Chaise: 3 x Leg assemblies Footstool: 4 x Leg assemblies	
B	Chaise and Footstool: 1 x Allen key	
C	Chaise: x 3 M6 x 70mm Connector bolts Footstool: x 4 M6 x 70mm Connector bolts	
D	Chaise: x 3 M6 x 50mm Connector bolts Footstool: x 4 M6 x 50mm Connector bolts	
E	Medium, Large & Grand Sofa: x 1 Adjustable centre leg Chaise: x 4 Adjustable centre legs	

## Step by step assembly instructions

1. Carefully place the chaise or sofa on its front onto a clean soft surface.

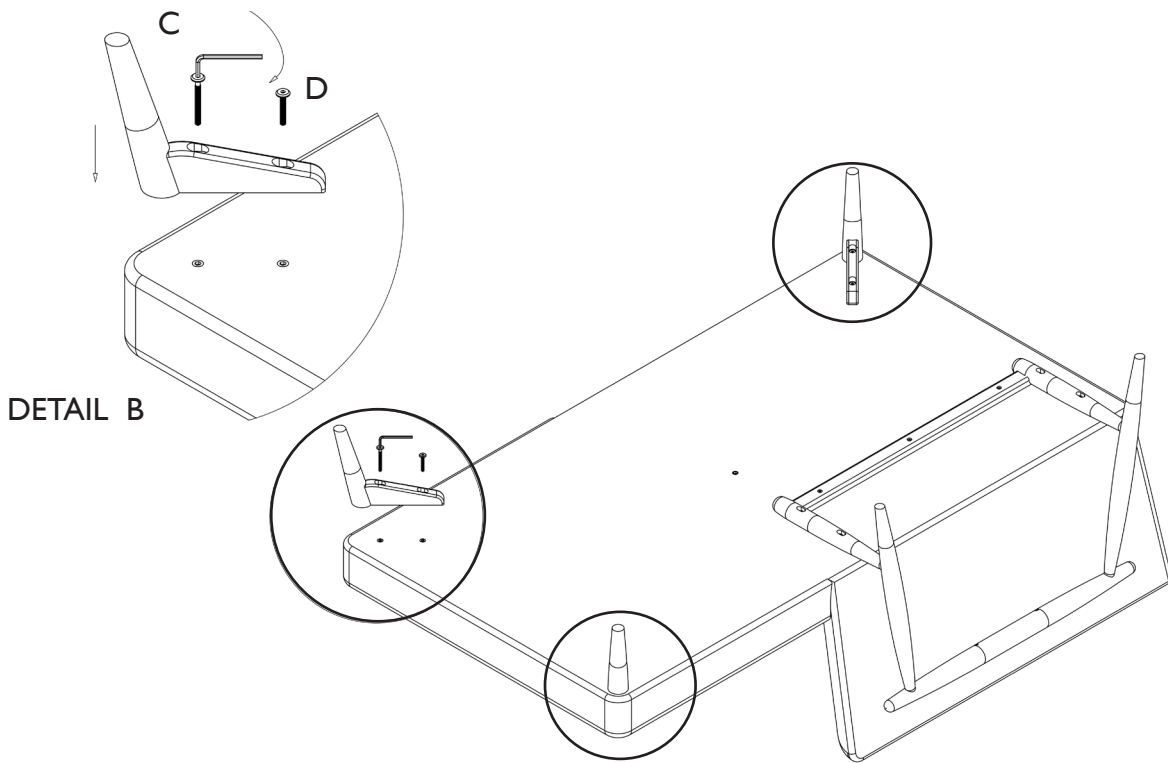
For the Bellaria chaise go to Step 2. For the Bellaria sofa's go straight to Step 4.

2. Remove the transport legs with a screwdriver and discard (shown in **DETAIL A**).

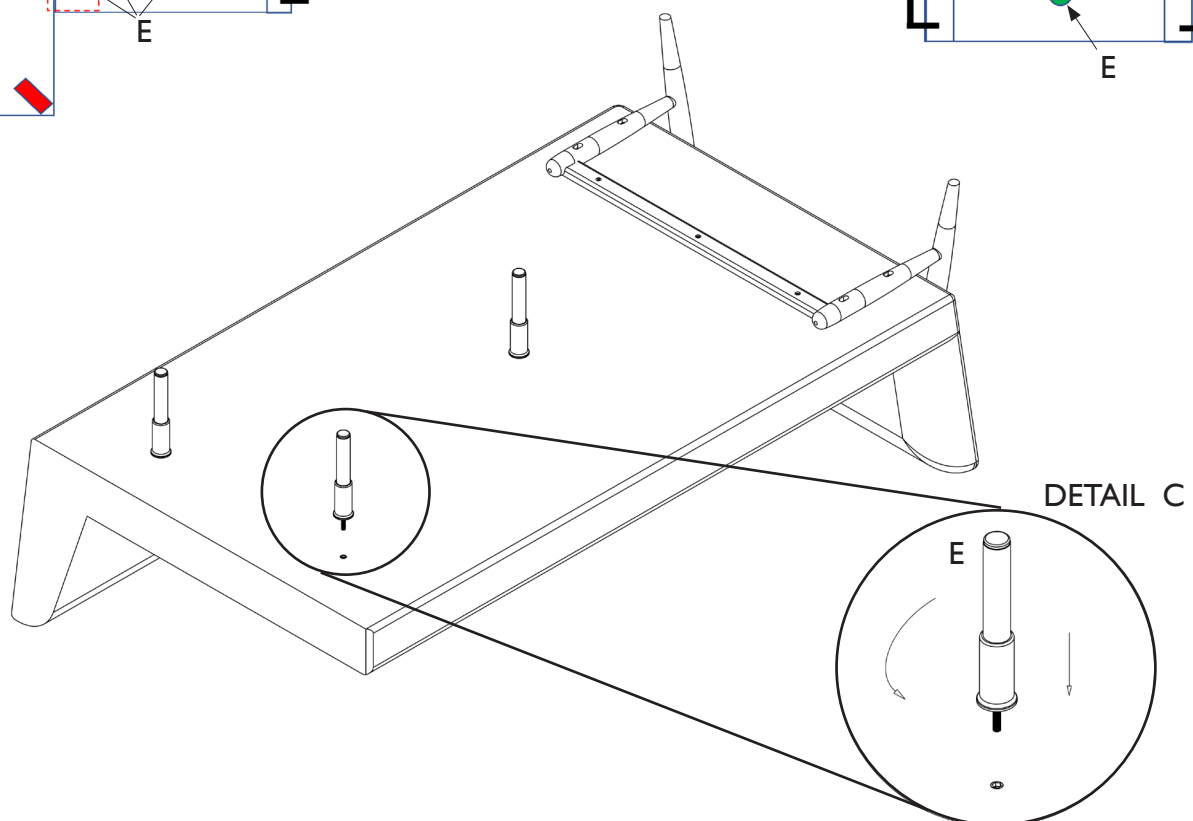
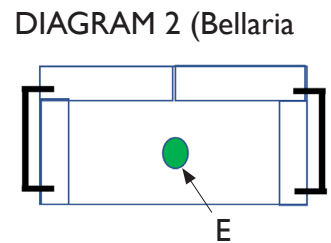
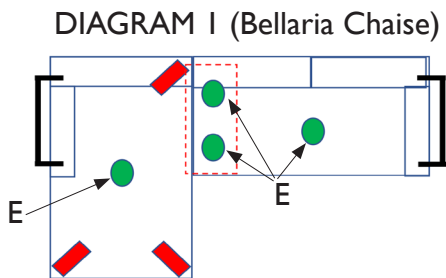


3. The leg assembly (A) requires two different length bolts (C and D). Holding the leg assembly (A) in place, use the allen key (B) to tighten the M6 x 70mm Connector bolt (C) until secure. Repeat this securing the M6 x 50mm Connector bolt (D) shown in **DETAIL B**.

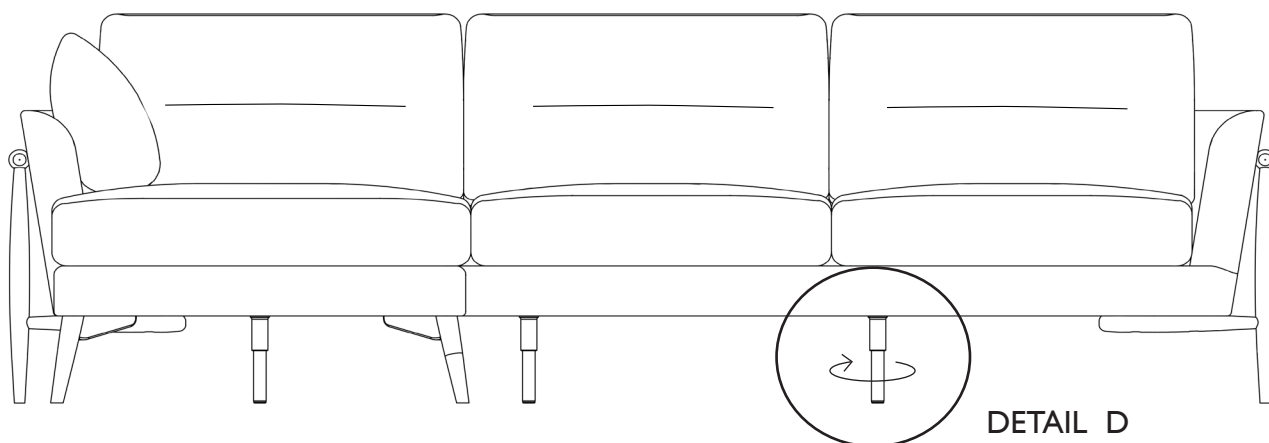
Repeat this step ensuring x 3 leg assemblies are secure. See locations circled below.



4. For the Bellaria Chaise, hand screw x 4 adjustable centre legs (E) in to position (diagram 1). For the Bellaria Sofa, hand screw x 1 (shown in **DETAIL C**) adjustable centre leg (E) in to position (diagram 2).



5. Carefully turn your chaise / sofa the right way up (for the chaise, connect the two units using the linking bracket). Rotate all adjustable legs (E) ensuring they are wound out (**DETAIL D**) to be in contact with the floor.



---

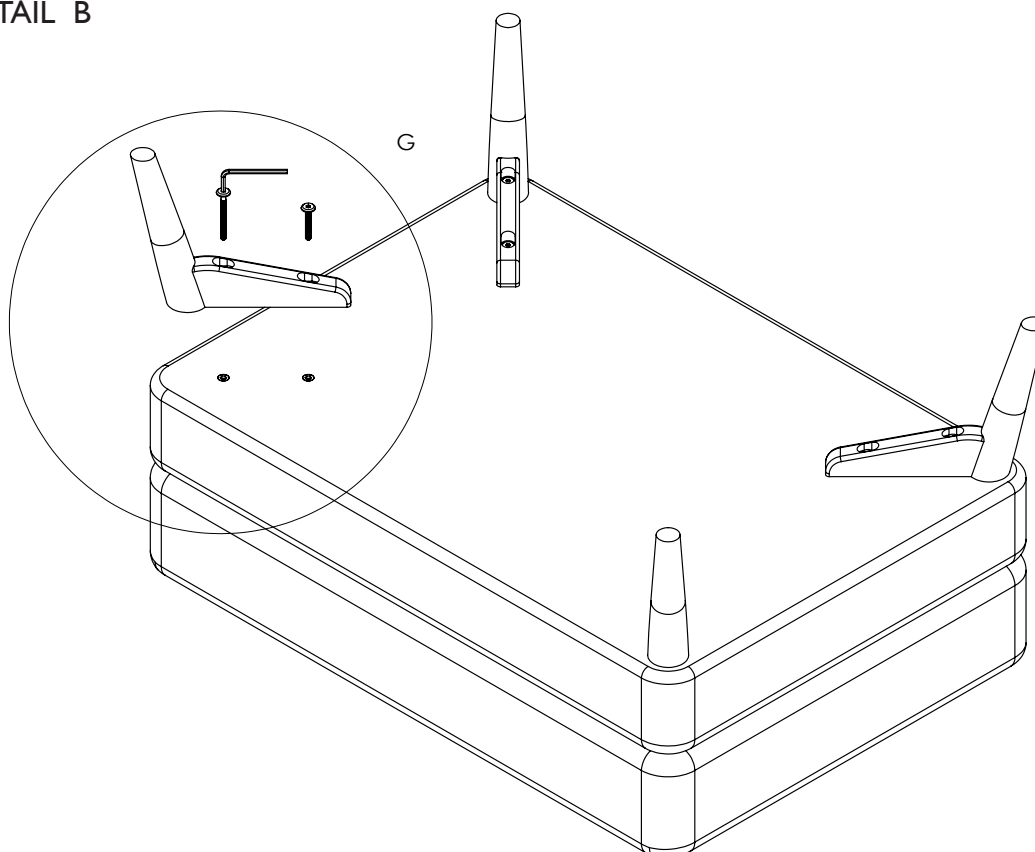
## Footstool Assembly

---

1. Carefully place the footstool on its top onto a clean soft surface.
2. Remove the transport legs with screwdriver and discard.
3. The leg assembly (A) requires two different length bolts (C and D). Holding the leg assembly (A) in place, use the allen key (B) to tighten the M6 x 70mm Connector bolt (C) until secure. Repeat this securing the M6 x 50mm Connector bolt (D) shown in **DETAIL B**.

Repeat this step ensuring all 4 leg assemblies are secure.

### DETAIL B



## Wood Furniture

Wood displays different grain patterns depending on which way it is cut - for example, the 'medullary ray' which can appear on oak furniture is a mark of good quality timber - these are characteristics of the natural beauty of the wood. All timber surfaces will change colour and mellow over time. New furniture will initially vary in shade from items that have been previously purchased.

## How to care for your wood furniture

Furniture with a hard lacquer, wax polish or painted surface should be dusted with a dry cloth. When using the surface for serving food and drinks it is best to use protective mats and coasters. Spillages should be wiped up as soon as possible. Spray polishes should be avoided as they can contain silicones which may spoil the furniture's surface by building up over time. Use of cleaning materials containing abrasive compounds, acidic or caustic reagents and any bleaches containing oxidising reagents should be avoided as prolonged use may damage the lacquer surface. If sticky marks occur on the surface they can be removed with a dilute solution of warm soapy water. The area should be rubbed lightly and then completely dried immediately afterwards, before replacing any mats etc. Our furniture will endure most temperatures in the home but it is best to avoid placing furniture next to heat sources such as radiators or fires. Be particularly careful with solid wood as the lack of humidity caused by central heating can cause damage, such as warping.

## Safety Instructions

Never drag furniture when moving it, always lift it. Take care when handling or moving the furniture as careless handling may cause damage or injury. No liability will be accepted for damage or injury caused by incorrectly installed furniture.

## Fabric Care

Every effort is made to keep colours consistent between batches, but fabric manufacturers cannot guarantee exact matching. All fabrics will fade in sunlight, to prolong the life of the fabric do not place it close to a heat source or in direct sunlight. Plump up cushions after use, especially fibre or feather cushions. If the cushions are reversible turn them at least once a week to minimise wear and maintain their appearance. To prevent dust and dirt accelerating wear, gently vacuum upholstery once a week or use a soft brush. For complete cleaning we recommend a specialist cleaning in situ. Accidental spills and stains should be treated as soon as possible, except mud which should be left to dry and then brushed off. Remove any solids, then blot up as much liquid as possible with white paper towel or a clean cloth. We recommend professional dry cleaning but some action can limit damage.

## Leather Care

As leather is a natural product, each hide will have its own individual characteristics - grain pattern, texture and colour will vary from hide to hide and even within the same hide. All of which contribute to the natural beauty and softness of the hides. Keep your leather furniture at least 40cm away from any heat source and if possible avoid exposure to direct sunlight preventing colour fading, dehydration and cracks. Leather furniture in a normal domestic environment should require little attention. Cleaning should only be done when necessary. We advise that the leather should be regularly dusted. At least twice a year the surface should be wiped over with a damp cloth, with special attention paid to crevices where dust and dirt could be a cause of hidden wear. Do not apply any chemical or abrasive products. If you have a spillage on your leather furniture, act immediately and dab off any excess liquids and solids, then contact a specialist leather cleaning company.

## PLEASE KEEP THESE INSTRUCTIONS FOR FUTURE REFERENCE

Ercol Furniture Ltd, Summerleys Road, Princes Risborough, Buckinghamshire. HP27 9PX [ercol.com](http://ercol.com)