

ercol

3270 ENNA UPHOLSTERY



Thank you for purchasing this Enna upholstery. Please ensure instructions are read in full before attempting to assemble or operate this product.

PREPARATION

This is a two person operation



Please check the pack contents before attempting to assemble this product. A full checklist of components is given in this leaflet. If any components are missing, please contact the retailer from whom you bought this product.

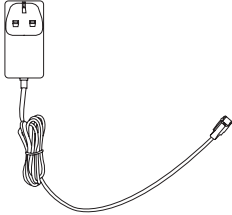
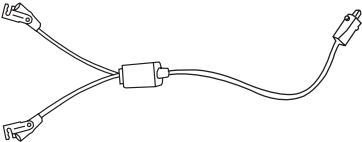
This product is **HEAVY**, it should be assembled as near as possible to the point of use.

TAKE CARE WHEN LIFTING to avoid personal injury and (or) damage to the product.

PLEASE NOTE: THE RECLINER UPHOLSTERY SHOULD NOT BE OPERATED BY CHILDREN.

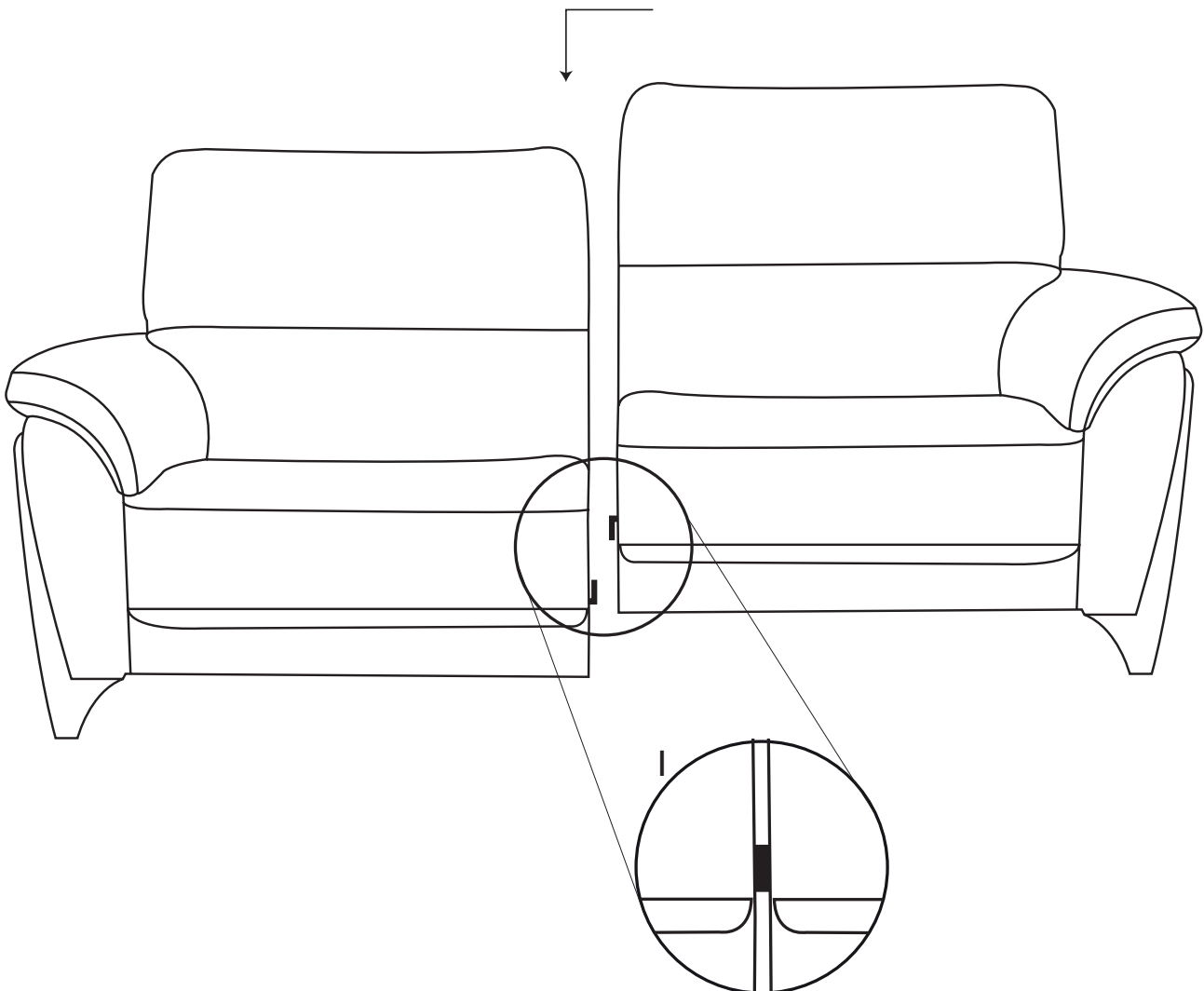
Read this leaflet in full before commencing assembly and operation.

Fittings and parts checklist

A	For all recliners: Power Cable	
B	For all sofa recliners: Connector Cable	

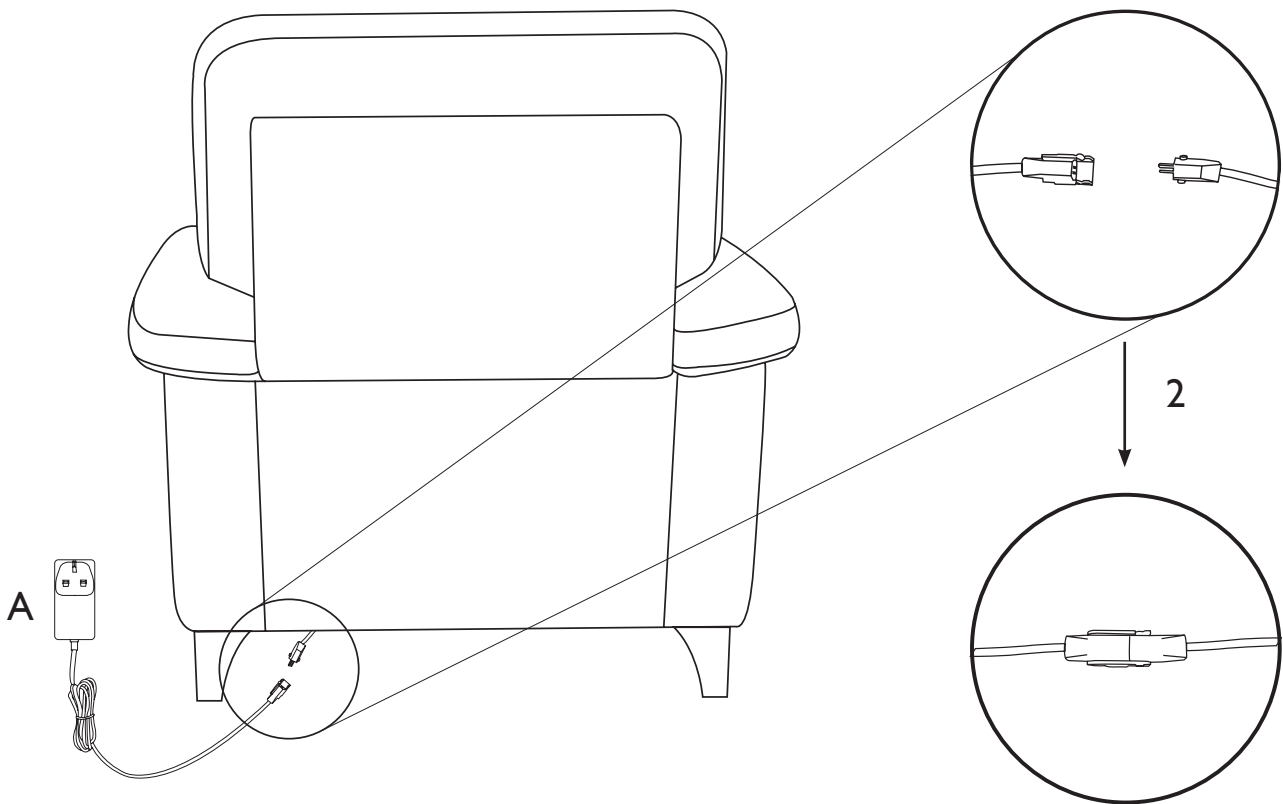
Step by step Sofa assembly instructions

1. Place the left hand facing section roughly in place with the right hand facing section next to it.
2. Carefully lift the right hand facing section and lower down whilst connecting the linking brackets (I)

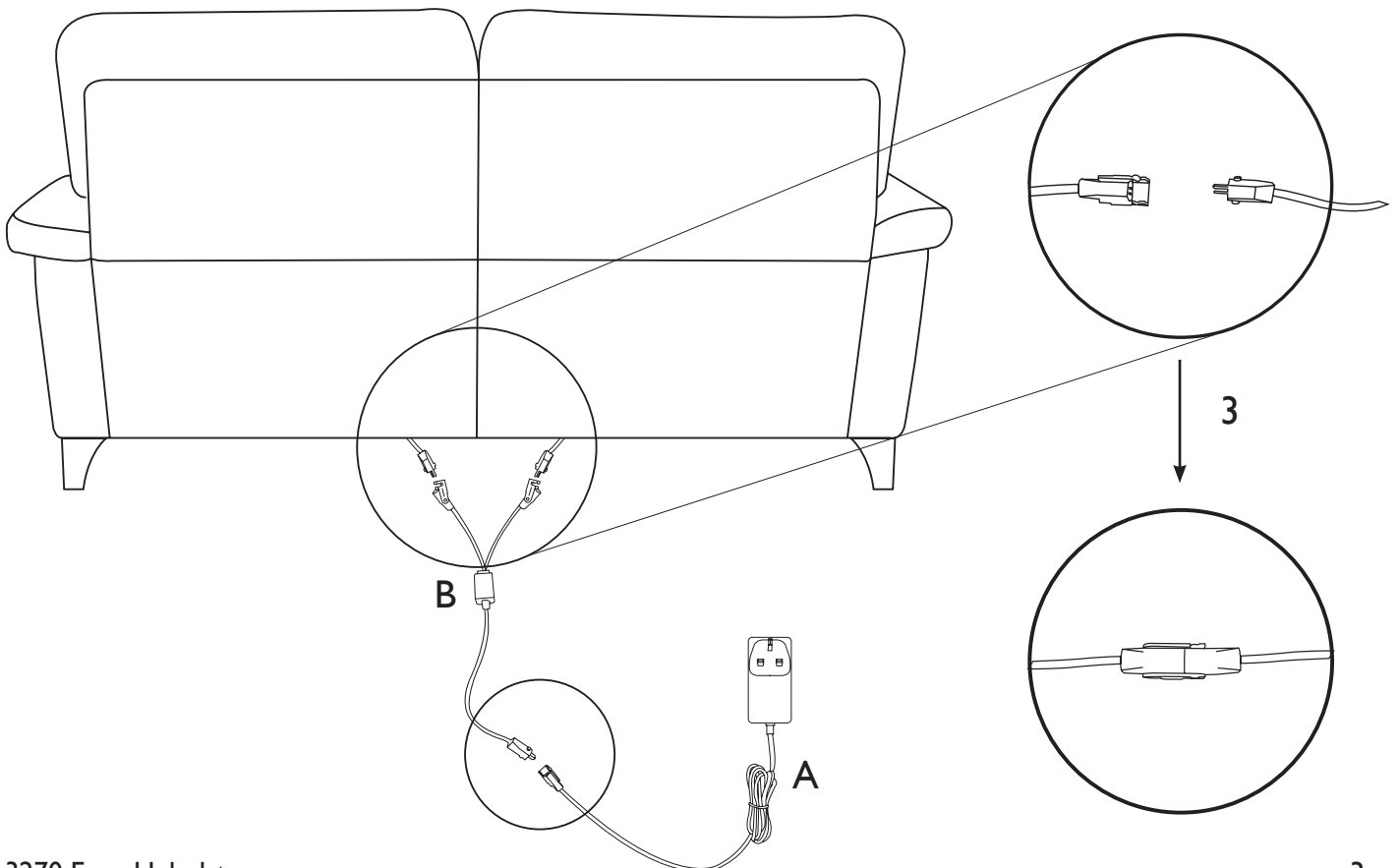


Connecting the Power

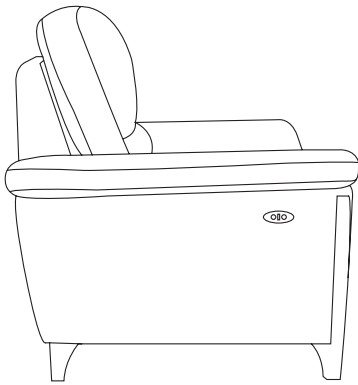
1. Chair: Facing the back of the chair find the two pin connector towards the bottom left hand side. Push the 2 pin connector into the power cable (A) and close the locking cover (2)



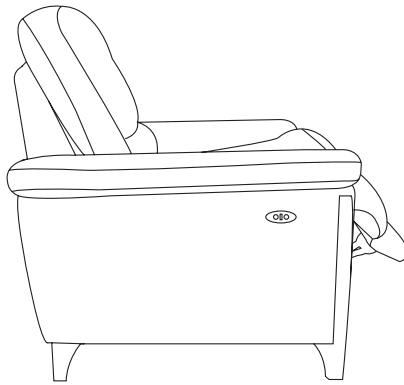
2. All Sofa Sizes: Facing the back of the sofa find the 2 two pin connectors towards the centre, 1 on each section. Push the 2 pin connectors into each side of the connector cable (B) and close the locking covers (3). Repeat the process between the connector cable and power cable (A).



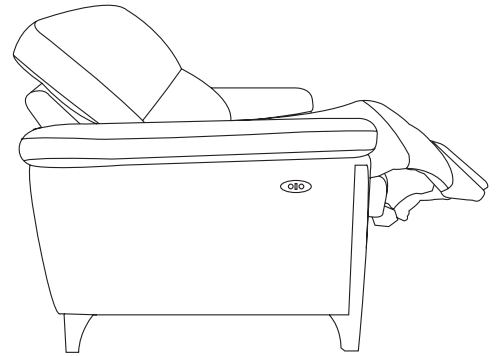
Positions your Enna Recliner can be used in



Position A - Closed



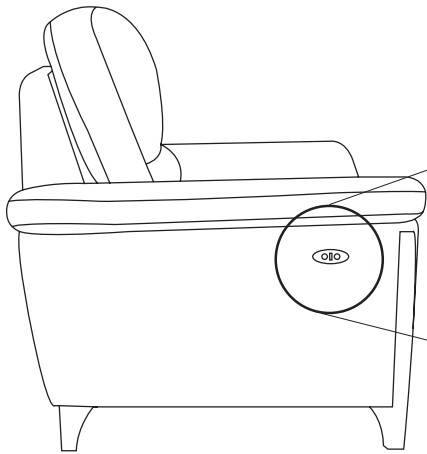
Position B - Partially Reclined



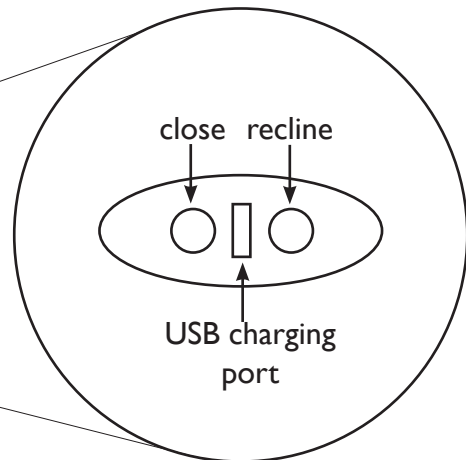
Position C - Fully Reclined

How to operate

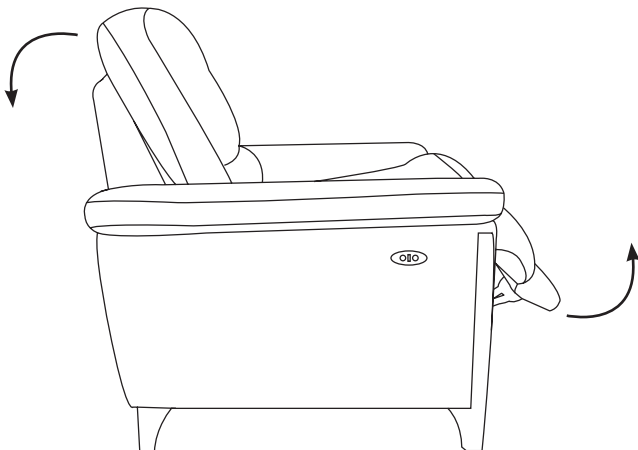
1. Starting in a closed position, sit comfortably in the recliner, ensuring you are sitting as far back as possible.



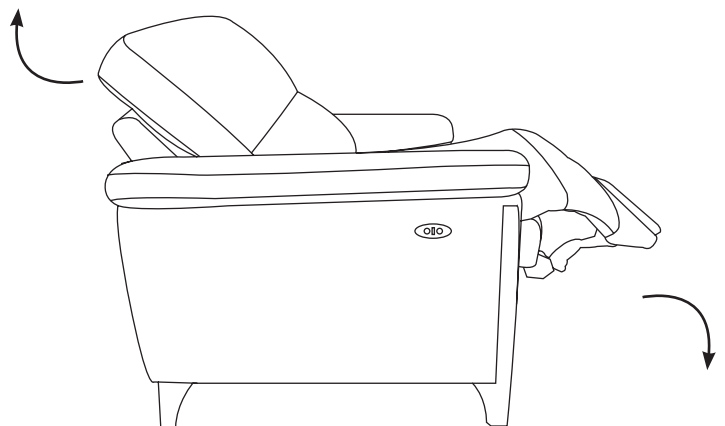
2. Press the front button to recline.



3. The back will recline and the footrest will rise. Release button when comfortable or continue pressing until fully reclined.



4. Press the back button to return the seat to an upright position. Ensure the seat is fully upright before standing.



Customer Care

Wood Furniture

Wood displays different grain patterns depending on which way it is cut - for example, the 'medullary ray' which can appear on oak furniture is a mark of good quality timber - these are characteristics of the natural beauty of the wood. All timber surfaces will change colour and mellow over time. New furniture will initially vary in shade from items that have been previously purchased. Wipe with a damp cloth.

Fabric Care

Every effort is made to keep colours consistent between batches, but fabric manufacturers cannot guarantee exact matching. All fabrics will fade in sunlight, to prolong the life of the fabric do not place it close to a heat source or in direct sunlight. Plump up cushions after use, especially fibre or feather cushions. If the cushions are reversible turn them at least once a week to minimise wear and maintain their appearance. To prevent dust and dirt accelerating wear, gently vacuum upholstery once a week or use a soft brush. For complete cleaning we recommend a specialist cleaning in situ. Accidental spills and stains should be treated as soon as possible, except mud which should be left to dry and then brushed off. Remove any solids, then blot up as much liquid as possible with white paper towel or a clean cloth. We recommend professional dry cleaning but some action can limit damage.

Leather Care

As leather is a natural product, each hide will have its own individual characteristics - grain pattern, texture and colour will vary from hide to hide and even within the same hide. All of which contribute to the natural beauty and softness of the hides. Keep your leather furniture at least 40cm away from any heat source and if possible avoid exposure to direct sunlight preventing colour fading, dehydration and cracks. Leather furniture in a normal domestic environment should require little attention. Cleaning should only be done when necessary. We advise that the leather should be regularly dusted. At least twice a year the surface should be wiped over with a damp cloth, with special attention paid to crevices where dust and dirt could be a cause of hidden wear. Do not apply any chemical or abrasive products. If you have a spillage on your leather furniture, act immediately and dab off any excess liquids and solids, then contact a specialist leather cleaning company.

Important Information - Read carefully and retain for future reference:

- a) Test to BS 8474 2013;
- b) Ercol Furniture Ltd, Summerleys Rd, | Princes Risborough, Buckinghamshire, | HP27 9PX | UK
- c) Warnings:
 - 1) WARNING. This is an electrical item and should be treated with caution.
 - 2) WARNING. The motion lockout control must be engaged when the chair is not in use.
 - 3) WARNING. Always ensure that there is nothing to obstruct the free movement of the chair, for example children or pets, solid objects, e.g. a wall.
 - 4) WARNING. This chair is not suitable for use by children. Any children in the vicinity must be supervised at all times.
 - 5) WARNING. Take care when adjusting positions to avoid trapping or pinching body parts.
 - 6) WARNING. Do not sit on the footrest.
 - 7) WARNING. Only the occupant or a responsible person should operate the chair.
 - 8) WARNING. Exercise care when lowering into the chair as shock loads can severely damage the chair and the mechanism.
- d) Maximum load for safe operation of the chair is 110kg.
- e) If this is a large sofa, the centre leg must be attached as per the instructions before use.
- f) When the chair is not in use, please return to the upright seated position.
- g) Ensure the chair is fully in the upright seated position before standing.
- h) Never drag furniture when moving it, always lift it. Take care when handling or moving the furniture as careless handling may cause damage or injury. No liability will be accepted for damage or injury caused by incorrectly installed furniture.
- i) Please ensure the instructions provided have been read and clearly understood before use.