

3464 SHALSTONE EXTENDING ROUND TABLE



TECHNICAL SPECIFICATIONS

CONSTRUCTION

Solid Oak, Oak Veneers

DESIGNED BY

In-house Design

COUNTRY OF ORIGIN

China

PRODUCT DIMENSIONS

Width: 120-160cm

Depth: 120cm

Height: 75cm

UNPACKED WEIGHT

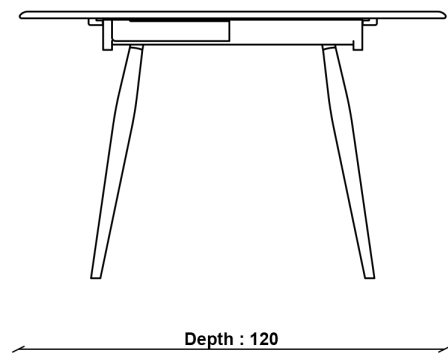
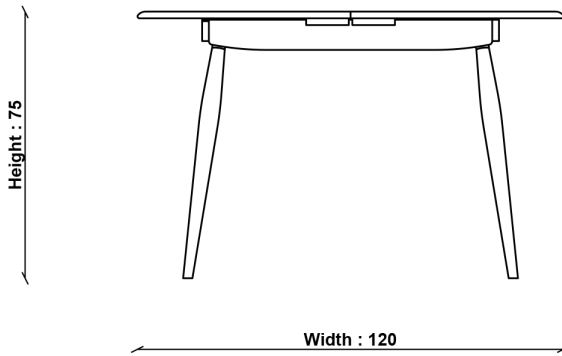
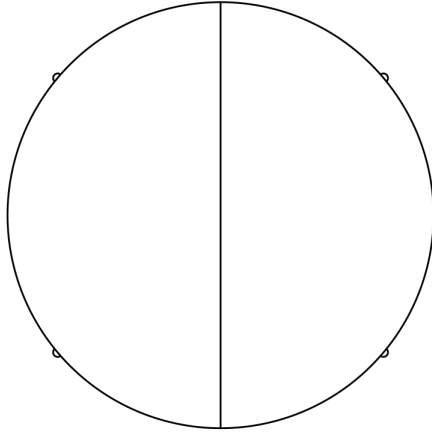
33kg

ASSEMBLY

Partial Assembly - Legs

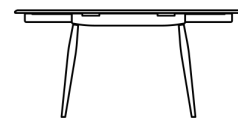
3464 SHALSTONE EXTENDING ROUND TABLE

TECHNICAL DRAWING - All dimensions in cm



ADDITIONAL DIMENSIONS

SIZE EXTENDED
Width 160cm



ercol