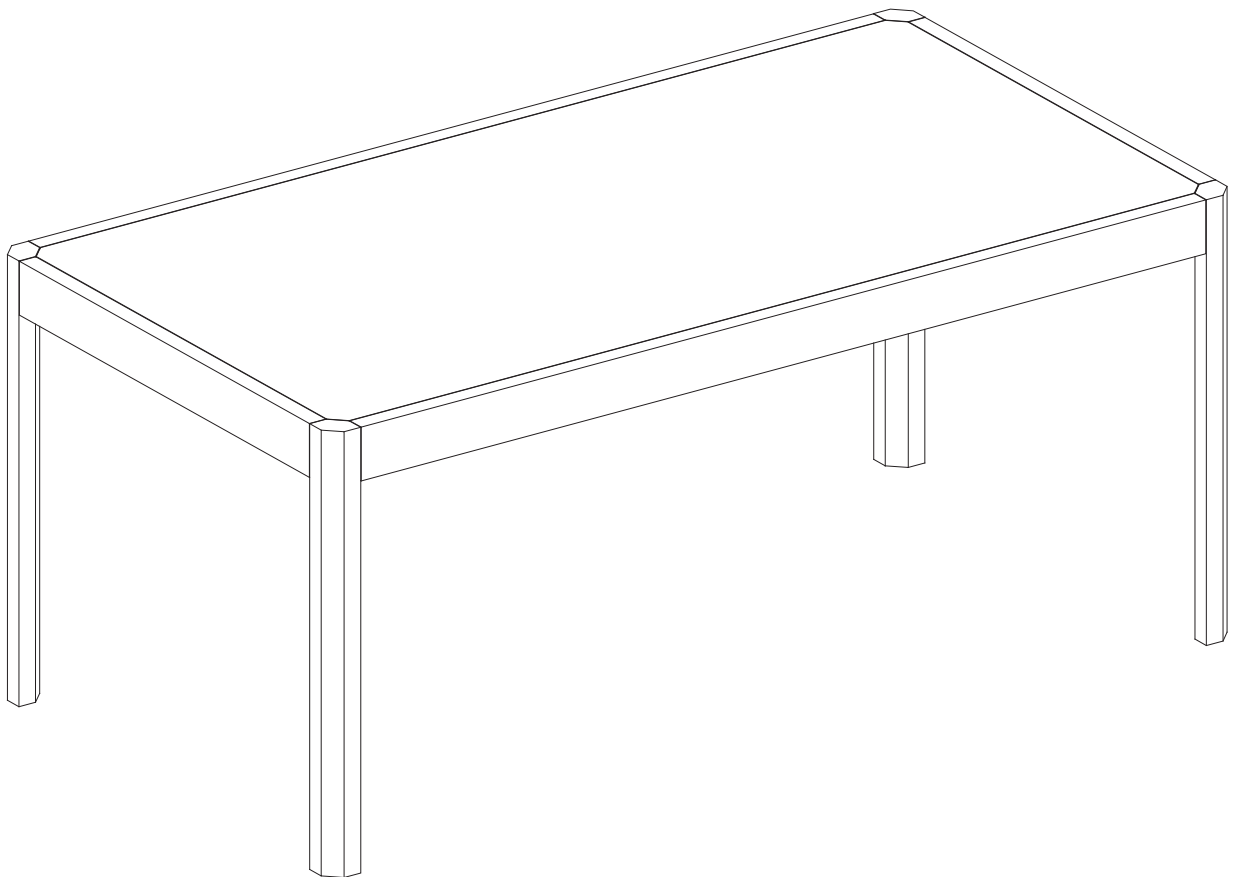


# ercol

ercol Ella Medium Extending Dining  
Table

Stock Number: 4241



H75 W170 D90cm

Ref: 2507 / 4241

Thank you for purchasing the ercol Ella Medium Extending Dining Table. Please read the instructions and warnings carefully before use, to ensure safe and satisfactory operation of this product.

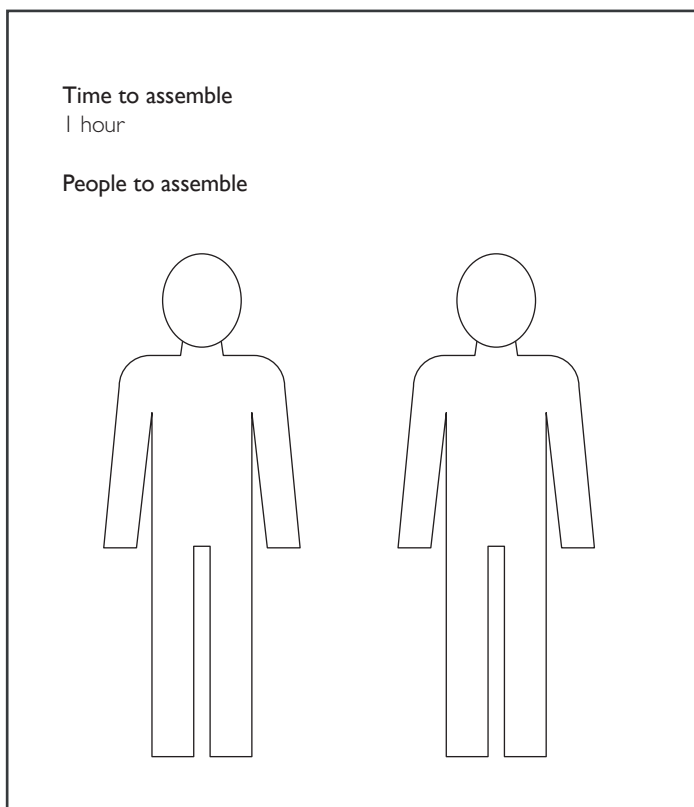
We are committed to making great products possible.

From our in-house Design Team, to our Buyers, we work together to bring great design to life.

Our expert Product Technologists work collaboratively with our buyers and suppliers to assure the legality, safety and quality of the product we sell.

We are all committed to designing and developing products to the highest industry standards.

We hope you are happy with your ercol product and welcome any feedback or comments you may have.



# Important safety information

## Warnings

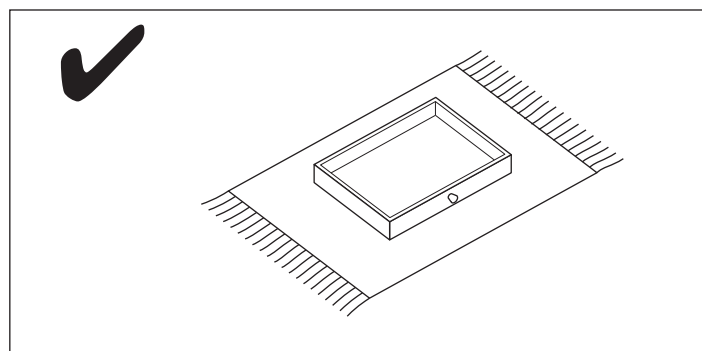
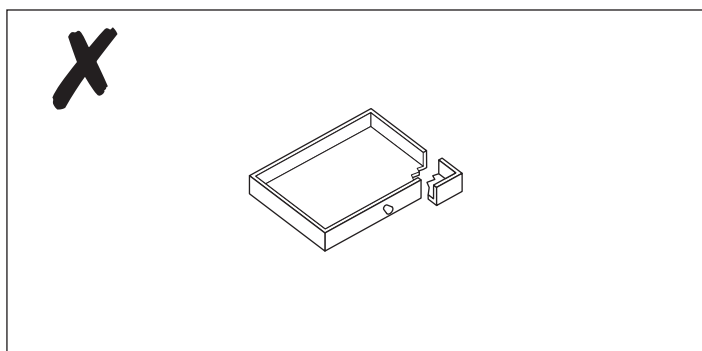
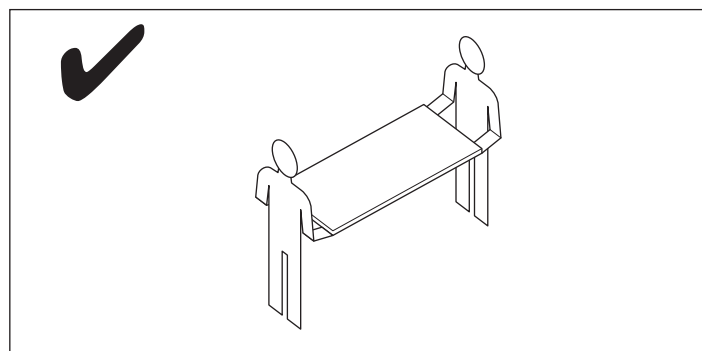
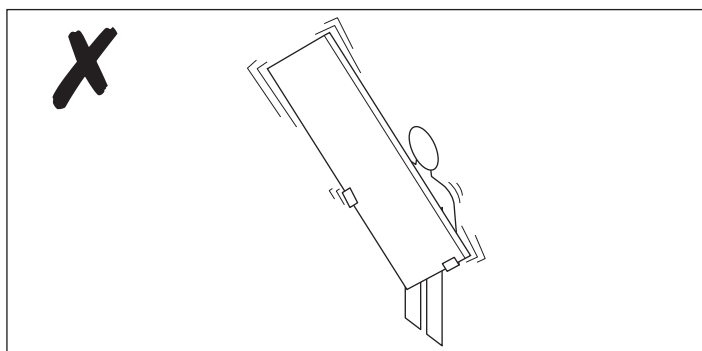
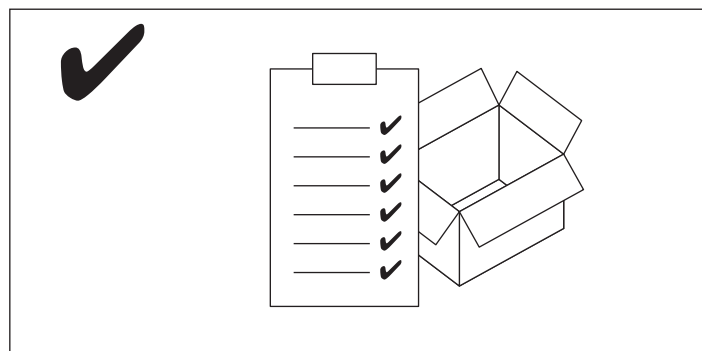
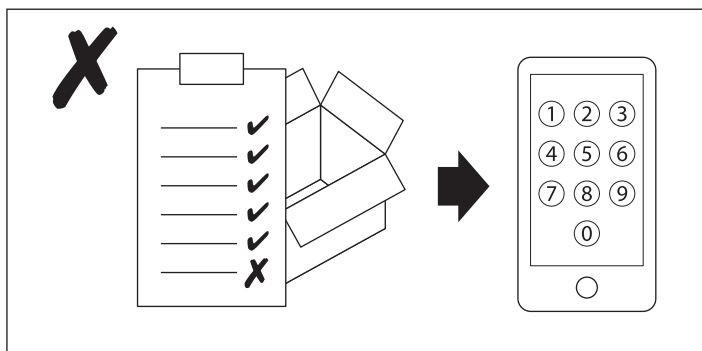
- ⚠ The product should only be used on firm, level ground.
- ⚠ Keep small parts out of reach of children.
- ⚠ Ensure the product is fully assembled as illustrated before use.

## Do's

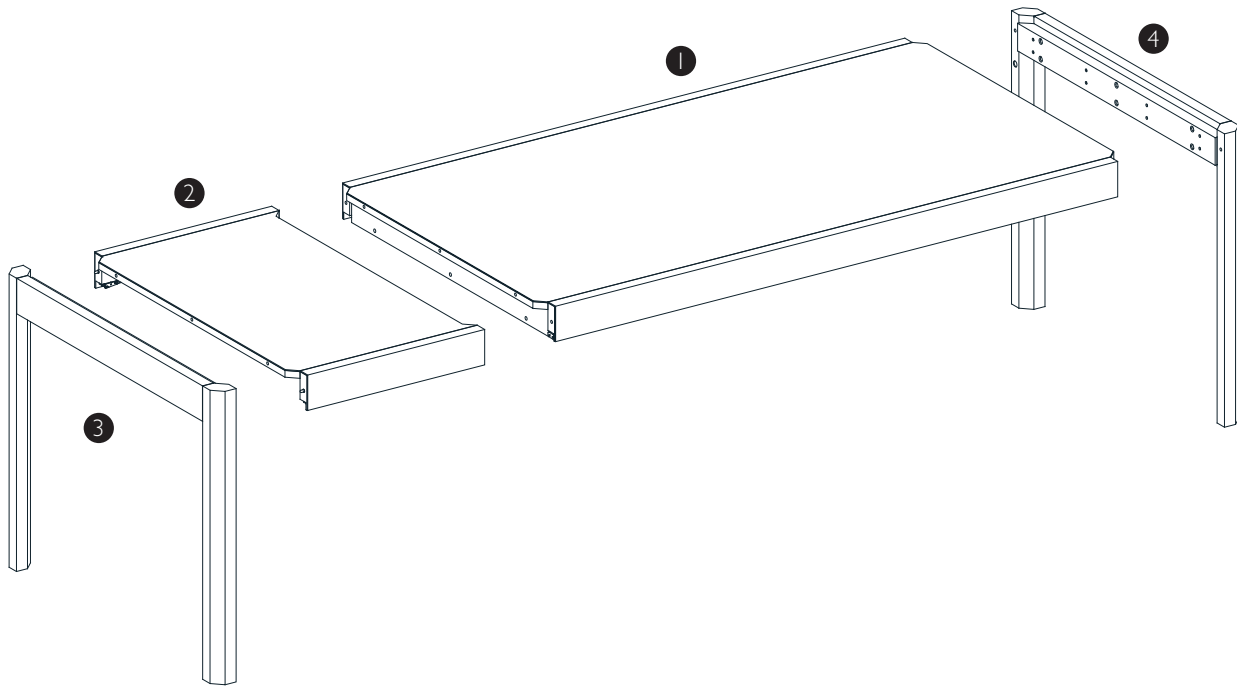
- ✓ Check the pack and make sure you have all the parts listed.
- ✓ Check all screws or bolts are tightened and inspect regularly.
- ✓ Make sure the legs remain in contact with the ground at all times.

## Dont's

- ✗ Do not over tighten screws or bolts.
- ✗ Do not stand on the product.
- ✗ Do not use power tools to construct as overtightening and panel failure may occur.



# Your Table



Ref	Description	Dimensions	Qty
1	Top Panel	90mm x 900mm x 1640mm	1
2	Extension Leaf	90mm x 900mm x 525mm	1
3	L/H Leg Frame	750mm x 900mm x 61mm	1
4	R/H Leg Frame	750mm x 900mm x 61mm	1

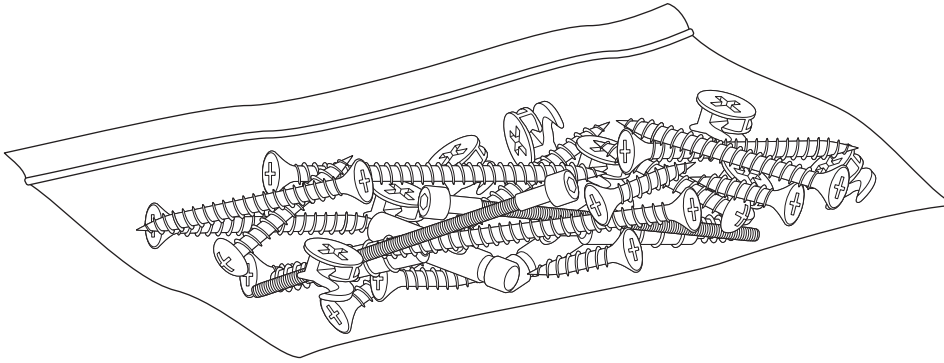
## Internal dimensions

Stock number: 4241

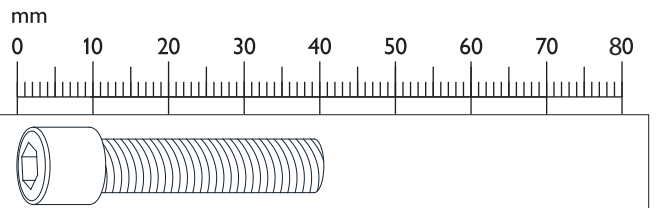

Table closed size: H75 W170 D90cm

Table open size: H75 W220 D90cm


# Fixtures and fittings



Fixtures and fittings  
supplied (actual size)

Ref	Description	Dimensions	Qty	mm
A	Imbus Bolt (Chrome)	8mm x 40mm	12	
B	Washer (Chrome)		12	

Fixtures and fittings  
supplied (not actual size)

Ref	Description	Dimensions	Qty	
C	Allen Key M6		1	

# Product Assembly

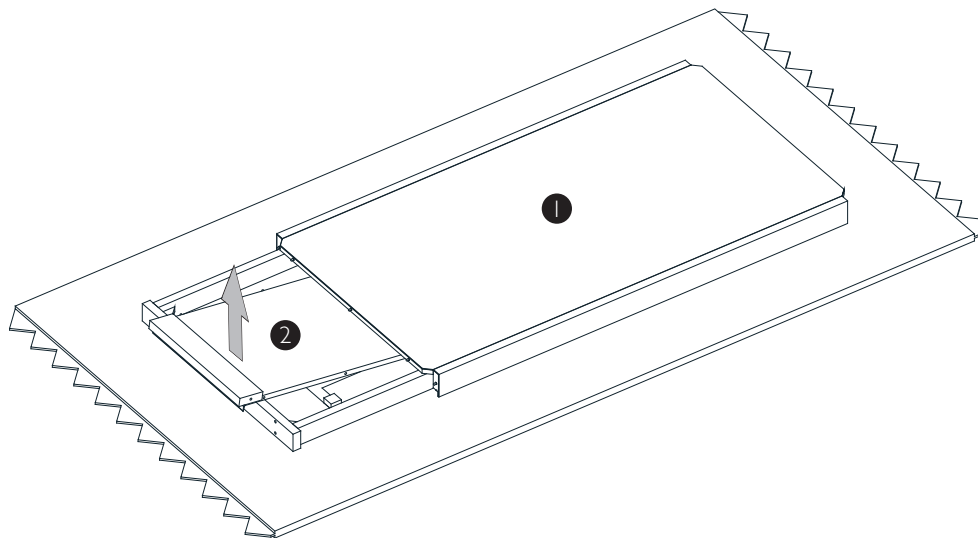
Ella Medium Extending Dining Table  
4241

## Step 1

Parts, fittings and tools

1 2

Take out the extension leaf (2).

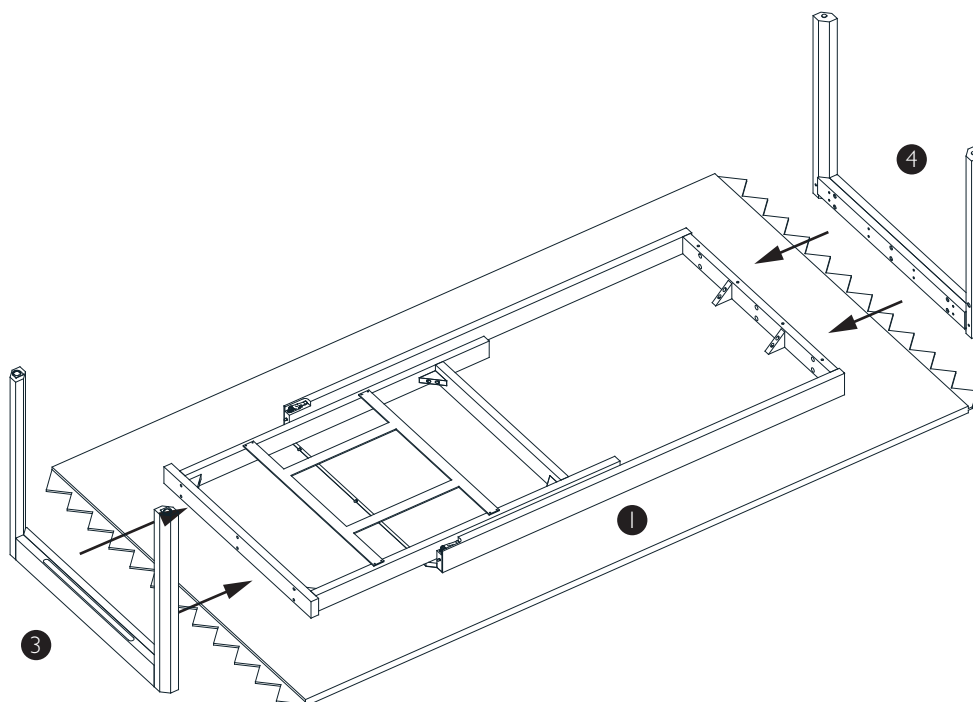


## Step 2

Parts, fittings and tools

1 3 4

Bring together the leg frames (3 and 4) and the top panel (1).

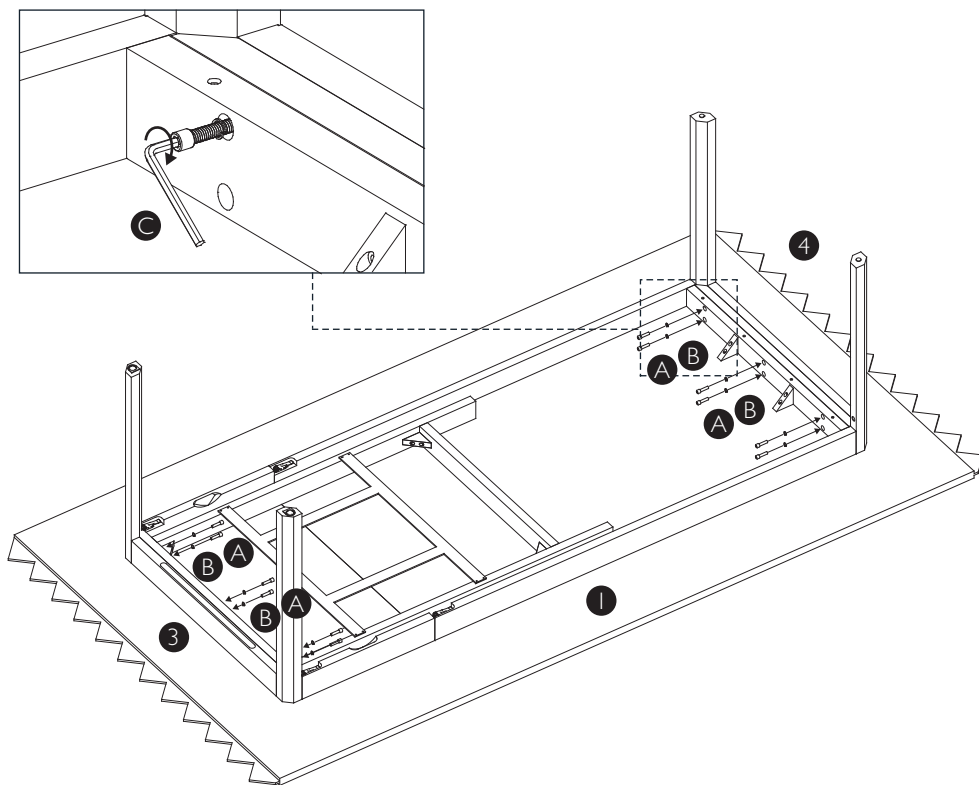


## Step 3

Parts, fittings and tools



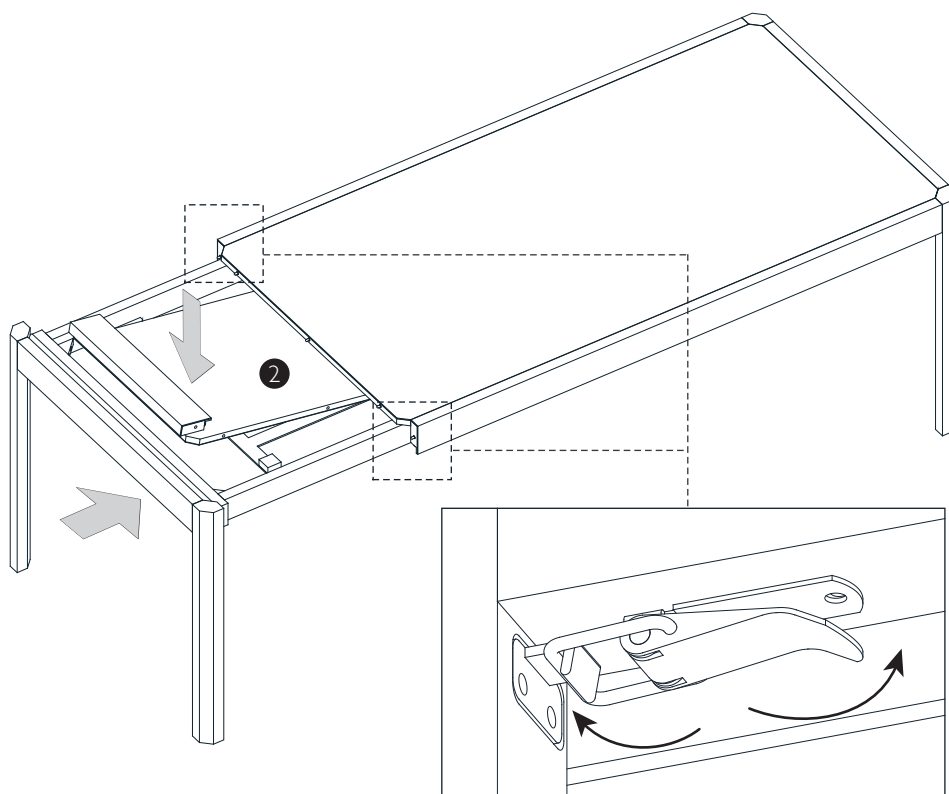
Attach the leg frames (3 and 4) to the top panel (1) by using 12x imbus bolts (A) and 12x washers (B).



## Step 4

Parts, fittings and tools

While in extended position, place the extension leaf (2) inside. Move the leg frame (3) towards the top panel (1) and use catch lock to fix it in place.

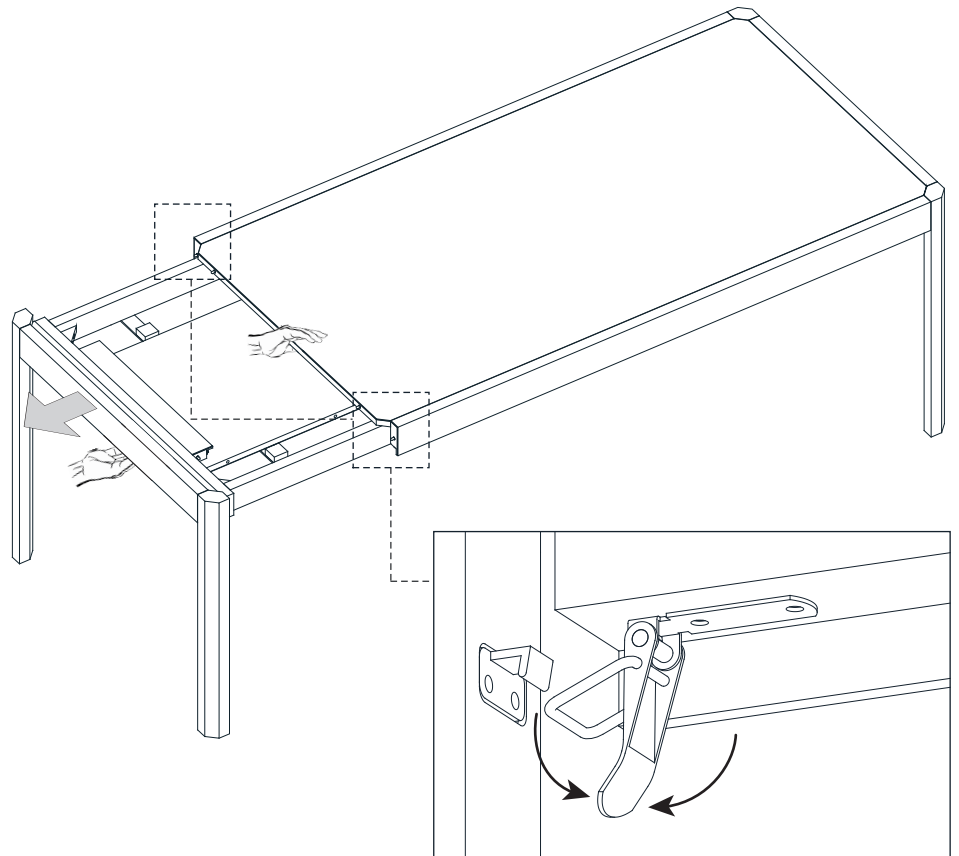


## Step 5

Parts, fittings and tools

Hold the table with one hand and open the drawer with the other.

In order to extend the table, first free the catch lock and move the leg frame (3) as shown below.

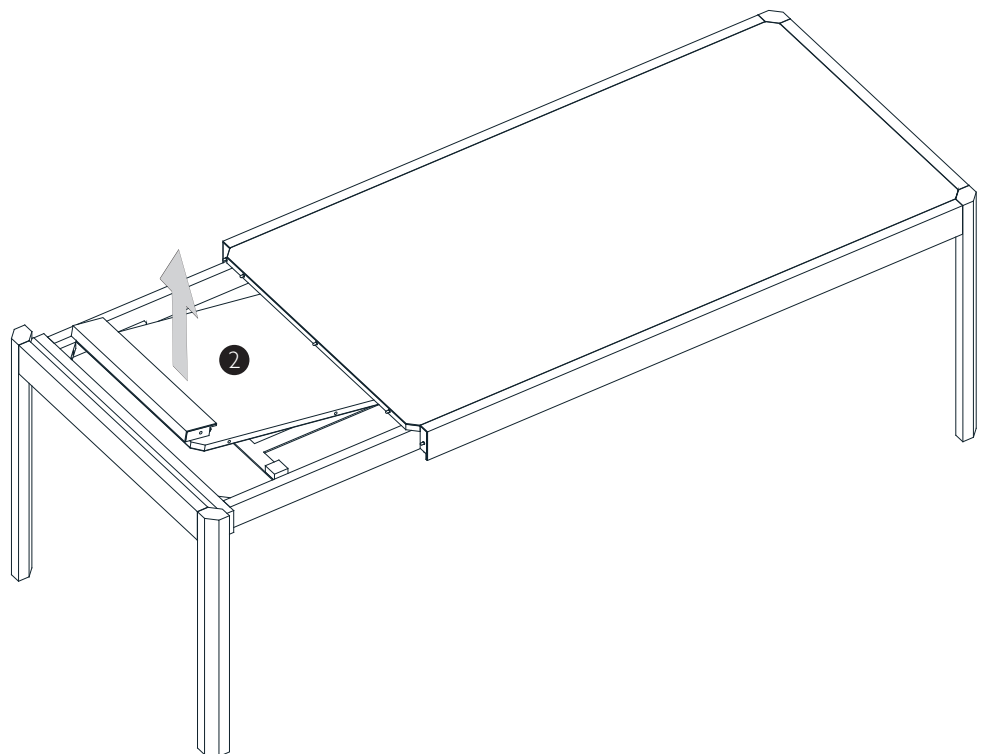


## Step 6

Parts, fittings and tools

Take the extension leaf (2) out.

2



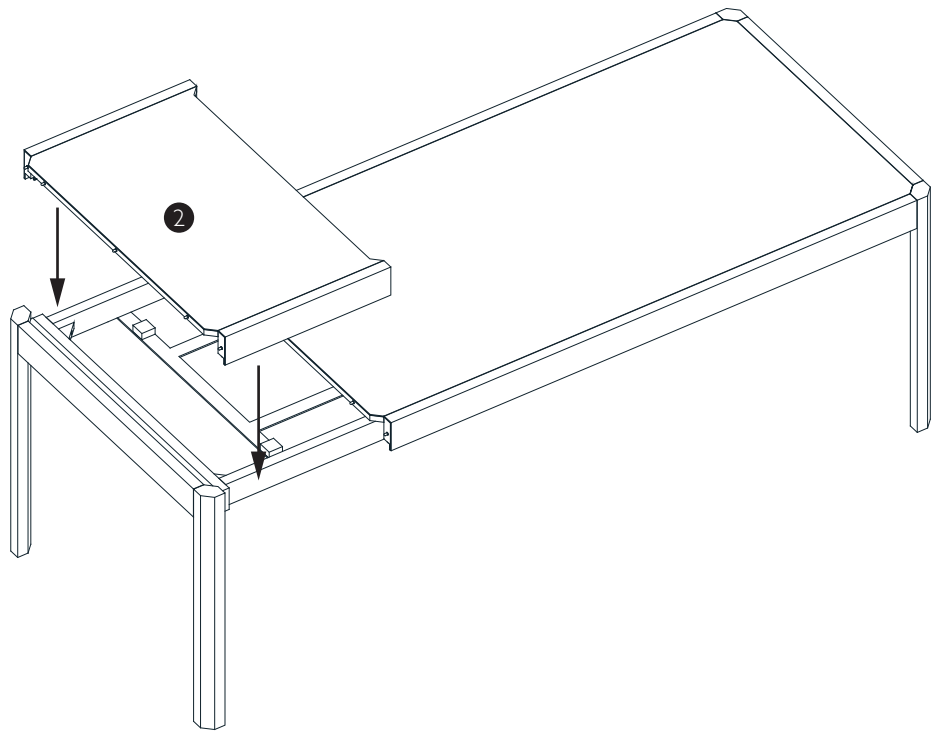


## Step 7

Parts, fittings and tools

2

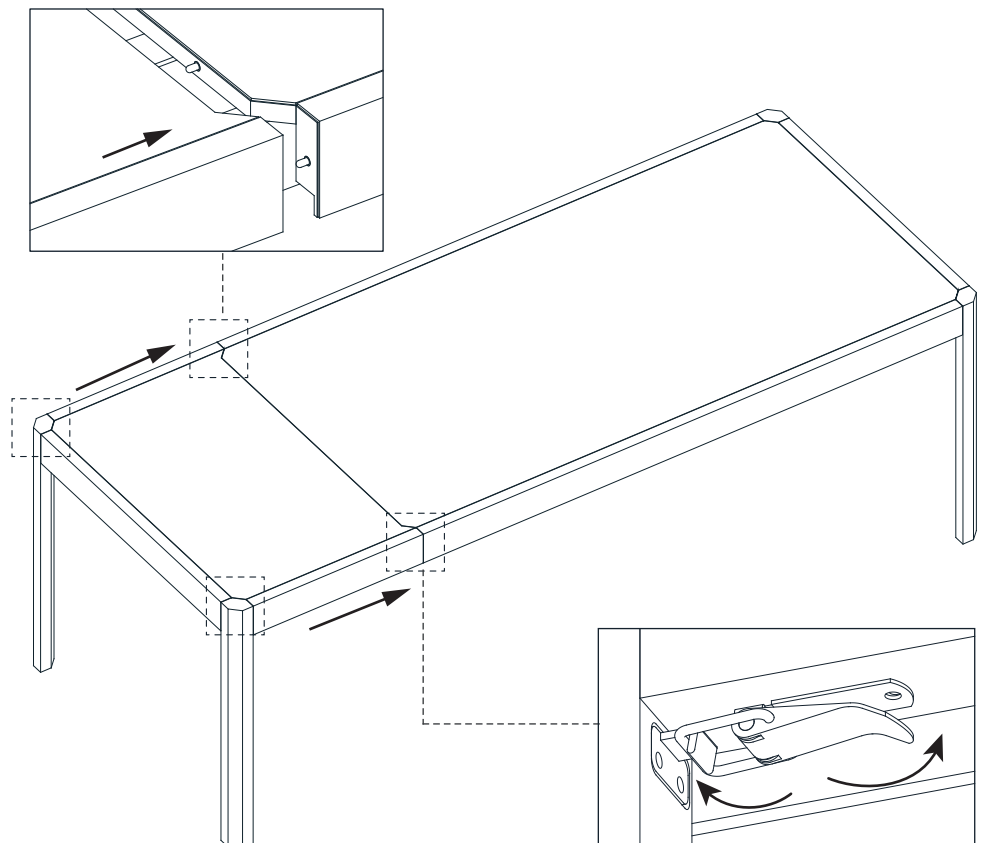
Place the extension leaf (2).



## Step 8

Parts, fittings and tools

Move the leg frame (3) and the extension leaf towards the top panel (1) and use 4 catch locks to fix them in place.



## Care and maintenance

### Wood Furniture

Wood displays different grain patterns depending on which way it is cut - for example, the 'medullary ray' which can appear on oak furniture is a mark of good quality timber - these are just characteristics of the natural beauty of the wood. Some furniture is also deliberately aged and rustic.

All timber surfaces will change colour and mellow over time. New furniture will initially vary in shade from items that have been previously purchased.

### How to care for your wood furniture

Furniture with hard lacquer, wax polish or painted surface should be dusted with a dry cloth. When using the surface for serving food and drinks it is best to use protective mats and coasters. Spillages should be wiped up as soon as possible.

Spray polishes are best avoided as they contain silicones which may spoil the furniture's surface by building up over time. Use of cleaning materials containing abrasive compounds, acidic or caustic reagents and any bleaches containing oxidising reagents should be avoided as prolonged use may damage the lacquer surface. Wipe up spills immediately. If sticky marks occur on the surface they can be removed with a dilute solution of warm soapy water. The offending area should be rubbed lightly and then completely dried immediately afterwards, before replacing any mats etc.

Our furniture will endure most temperatures in the home but it is best to avoid placing furniture next to heat sources such as radiators or fires. Be particularly careful with solid wood as the lack of humidity caused by central heating can cause damage such as warping.

### Safety Instructions

Never drag furniture when moving it, always lift it. Please take care when handling or moving the furniture as careless handling may cause damage or injury. No liability will be accepted for damage or injury caused by incorrectly installed furniture.

### **PLEASE KEEP THESE INSTRUCTIONS FOR FUTURE REFERENCE**

Ercol Furniture Ltd, Summerleys Road, Princes Risborough, Buckinghamshire. HP27 9PX [www.ercol.com](http://www.ercol.com)

YNG TAL 14 / EOMT6 D: 02.05.2018 / RN 003