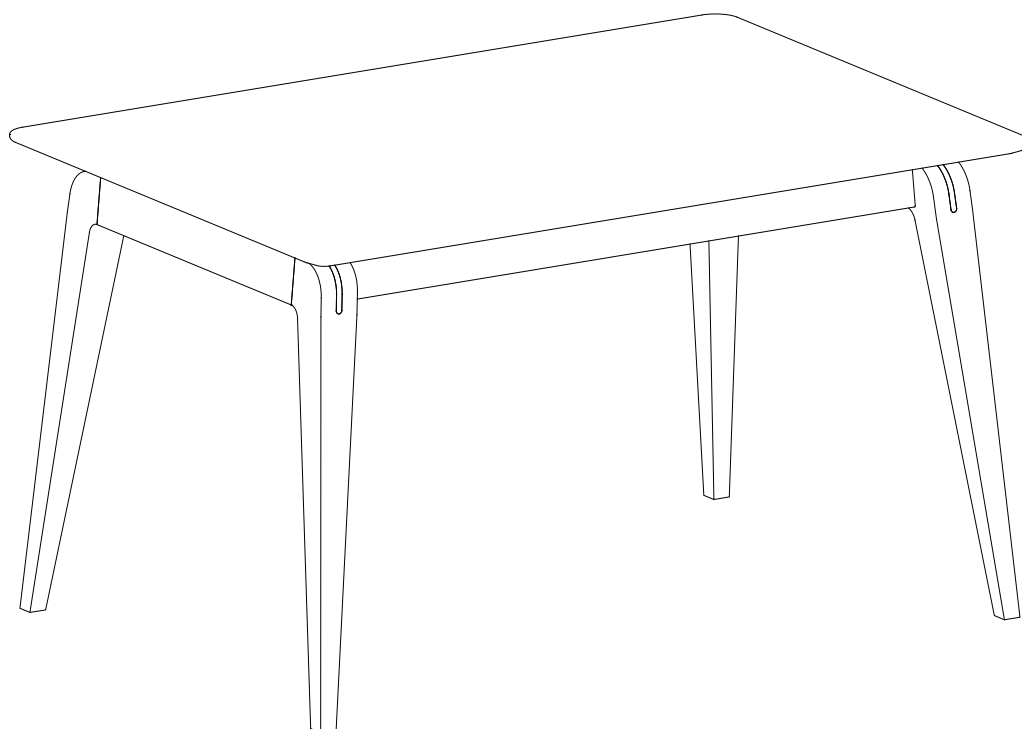


ercol

ENGLAND SINCE 1920

4083 LUGO SMALL DINING TABLE



Thank you for purchasing this Lugo small dining table. Please ensure instructions are read in full before attempting to assemble product.

Installation should be carried out exactly according to the manufacturers instructions, otherwise a safety risk can occur if incorrectly installed.

This product is heavy, it should be assembled as near as possible to the point of use. Take care when lifting to avoid personal injury and (or) damage to the product.

The fittings pack contains small items which should be **KEPT AWAY FROM YOUNG CHILDREN.**

Read this leaflet in full before commencing assembly.

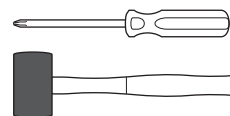
Please check the pack contents before attempting to assemble this product. A full checklist of components is given in this leaflet. If any components are missing, please contact the retailer from whom you bought this product.

Pre-assembly preparation



This is a two person operation







Items you will need

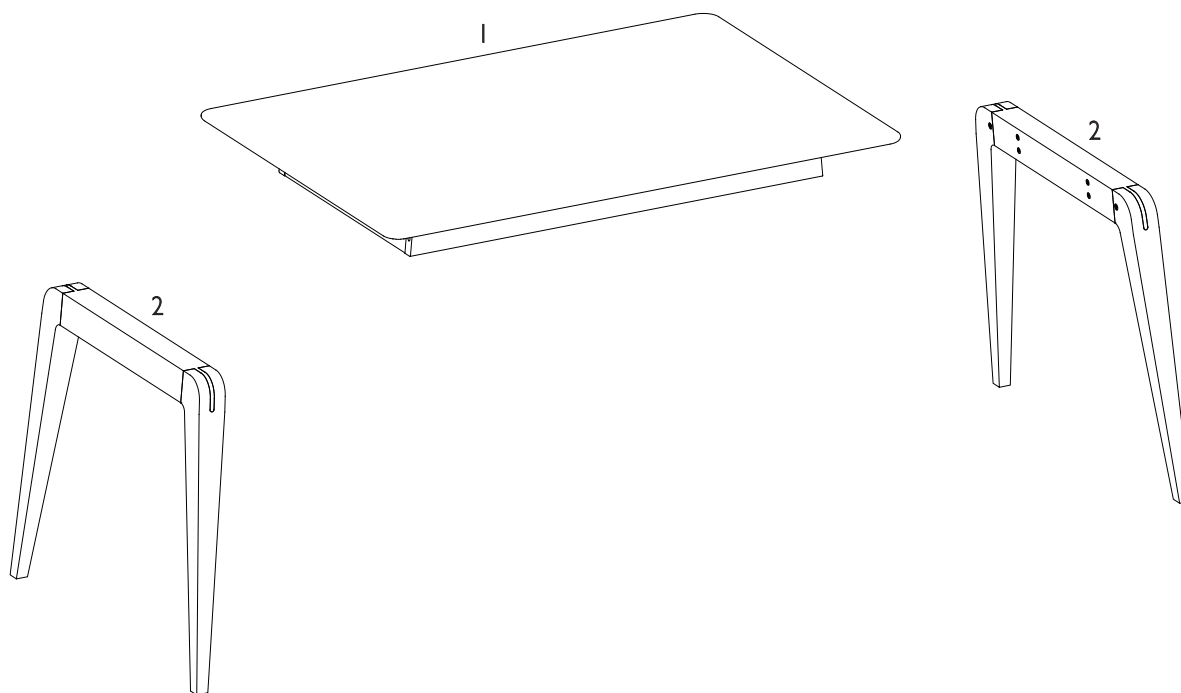


Parts checklist

1	1 x Top panel	118mm x 900mm x 1300mm
2	2 x Leg	65mm x 713mm x 855mm

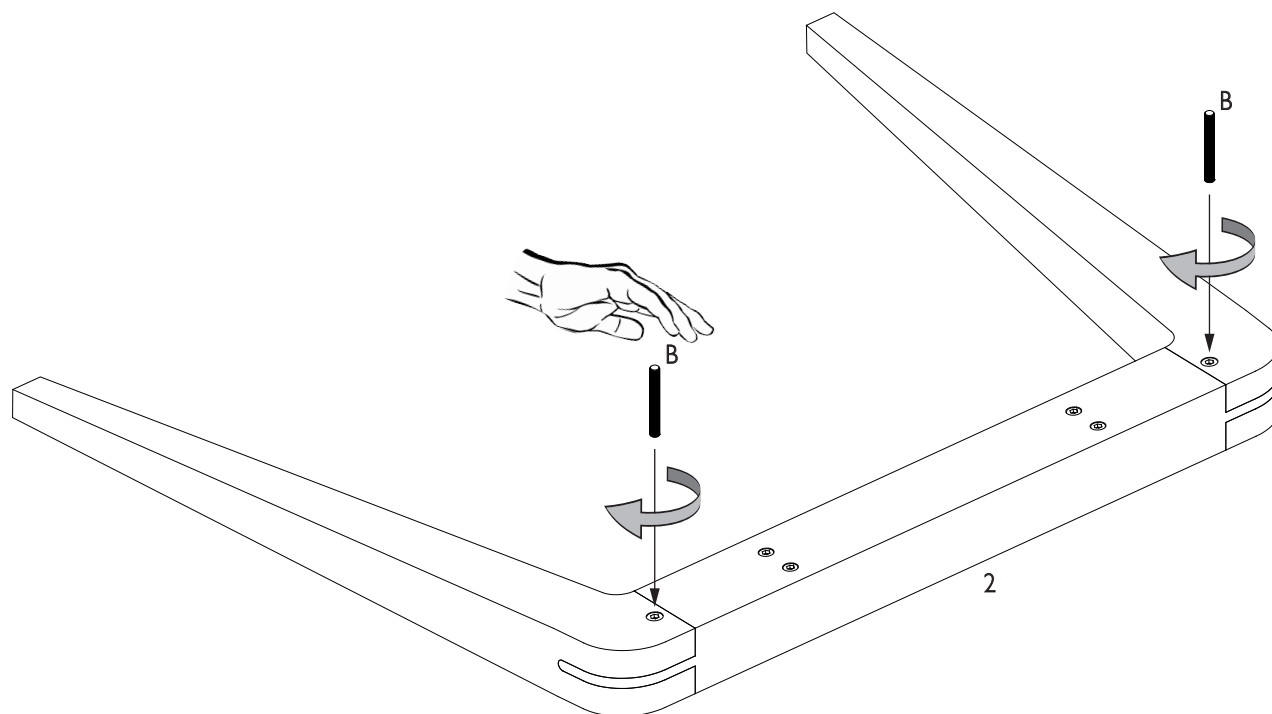
Fitting checklist

A	8 x allen head bolt (M6 x 45 - Chrome)	
B	4 x headless bolt (M8 x 67)	
C	4 x fixing head	
D	4 x hex nut	
E	1 x allen key (M4)	
F	1 x wrench	

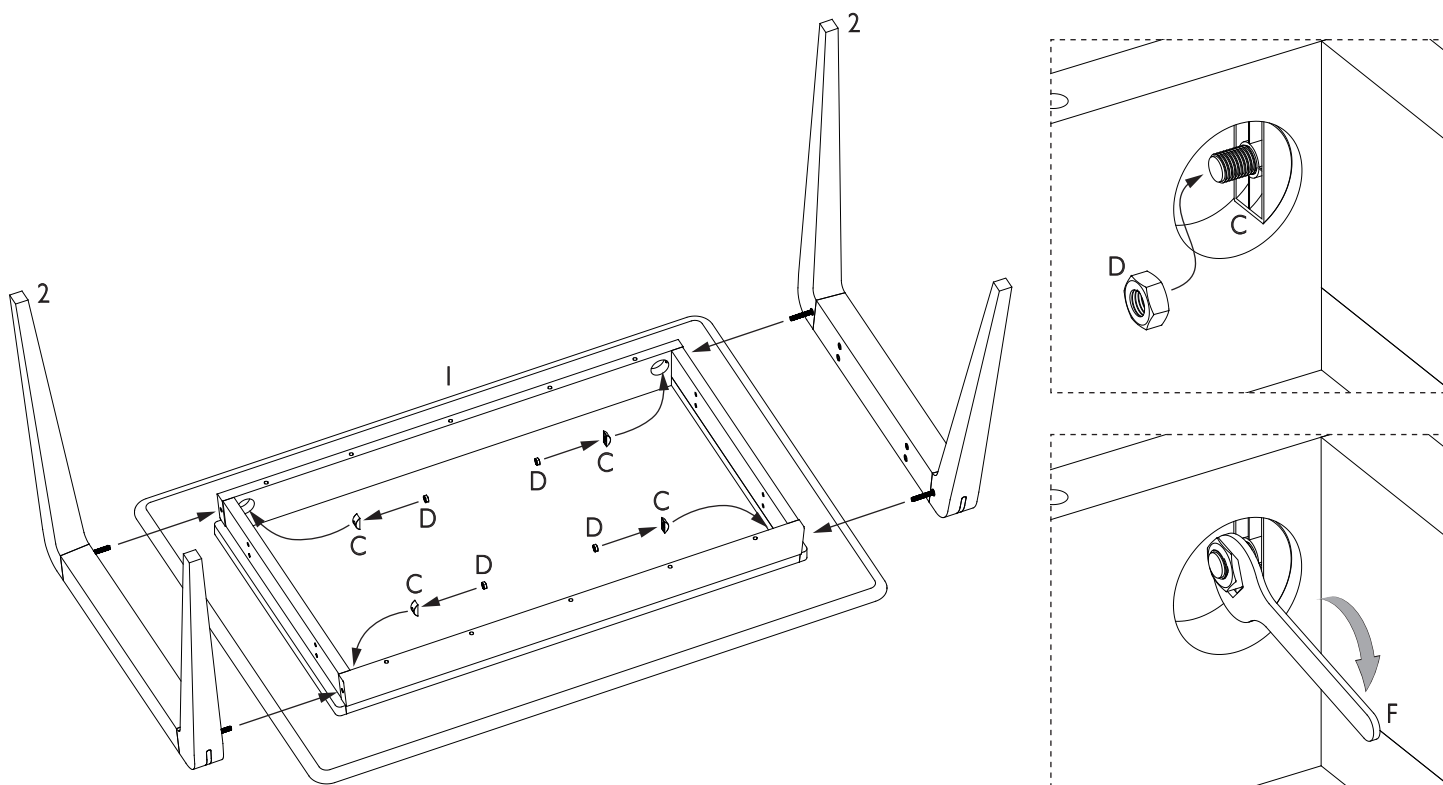


Step by step assembly instructions

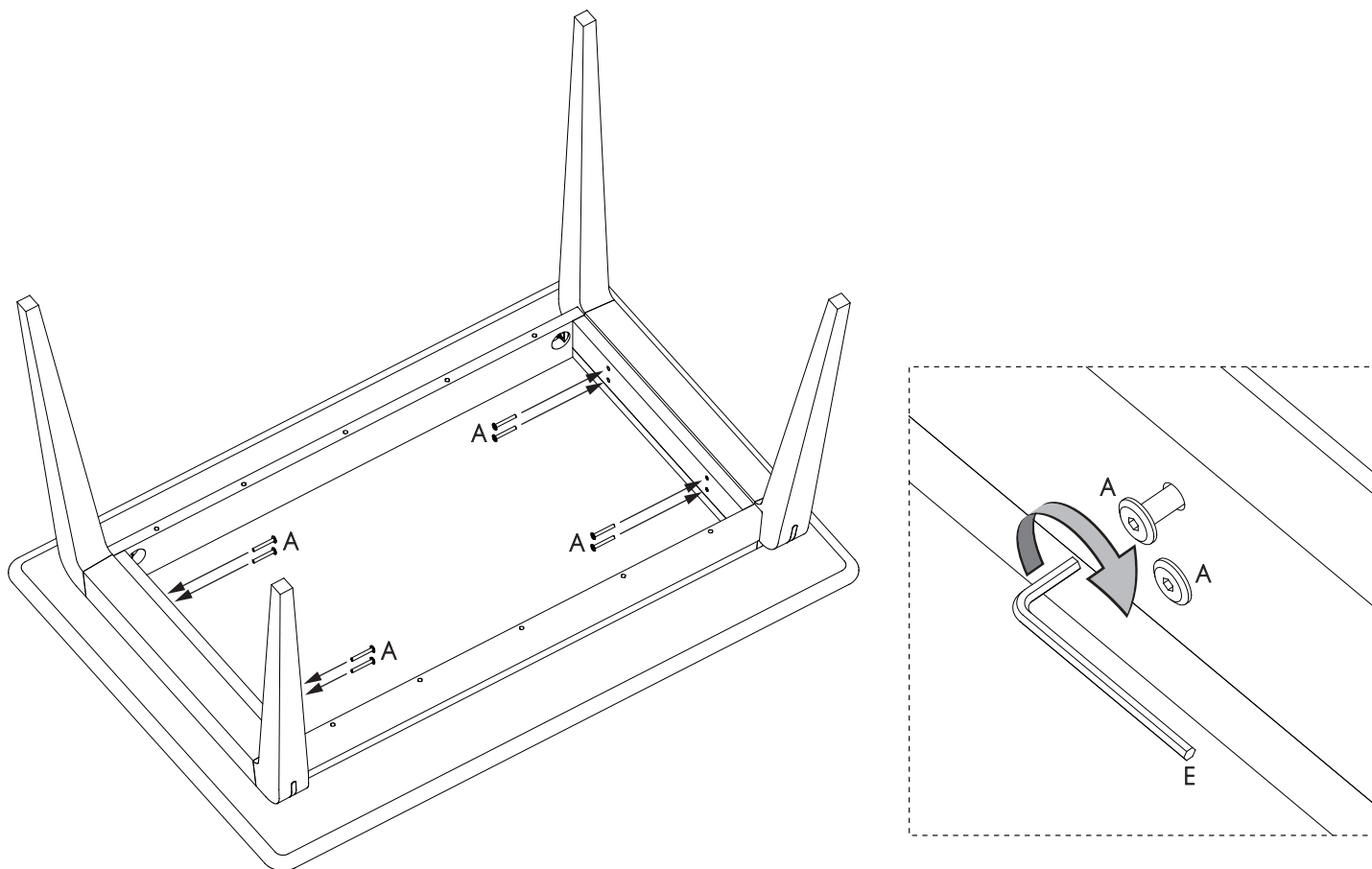
1. Fix 4x headless bolts (B) on the legs (2) as shown below.



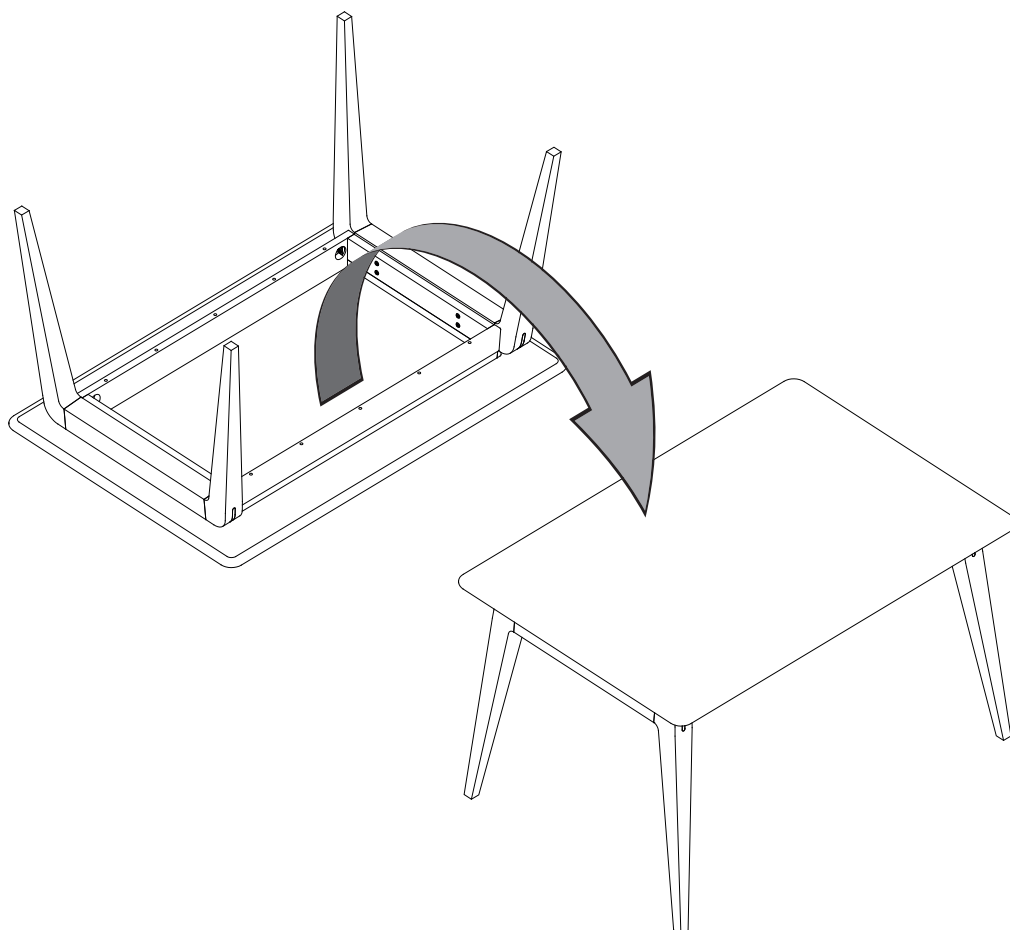
2. Use 4x fixing heads (C) and 4x hex nuts (D) to attach the legs (2) to the top panel (1). Make sure placing the fixing heads (C) first by aligning the hole on them with the hole where the headless bolts go through. Use the wrench (F) to fix the hex nuts (D) tightly.



3. Fix 8x allen head bolts (A) by using an allen key (E).



4. Lift the unit to standing position.



Care and maintenance

Wood Furniture

Wood displays different grain patterns depending on which way it is cut - for example, the 'medullary ray' which can appear on oak furniture is a mark of good quality timber - these are just characteristics of the natural beauty of the wood. Some furniture is also deliberately aged and rustic.

All timber surfaces will change colour and mellow over time. New furniture will initially vary in shade from items that have been previously purchased.

How to care for your wood furniture

Furniture with hard lacquer, wax polish or painted surface should be dusted with a dry cloth. When using the surface for serving food and drinks it is best to use protective mats and coasters. Spillages should be wiped up as soon as possible.

Spray polishes are best avoided as they contain silicones which may spoil the furniture's surface by building up over time. Use of cleaning materials containing abrasive compounds, acidic or caustic reagents and any bleaches containing oxidising reagents should be avoided as prolonged use may damage the lacquer surface. Wipe up spills immediately. If sticky marks occur on the surface they can be removed with a dilute solution of warm soapy water. The offending area should be rubbed lightly and then completely dried immediately afterwards, before replacing any mats etc.

Our furniture will endure most temperatures in the home but it is best to avoid placing furniture next to heat sources such as radiators or fires. Be particularly careful with solid wood as the lack of humidity caused by central heating can cause damage such as warping.

Safety Instructions

Never drag furniture when moving it, always lift it. Please take care when handling or moving the furniture as careless handling may cause damage or injury. No liability will be accepted for damage or injury caused by incorrectly installed furniture.

PLEASE KEEP THESE INSTRUCTIONS FOR FUTURE REFERENCE